

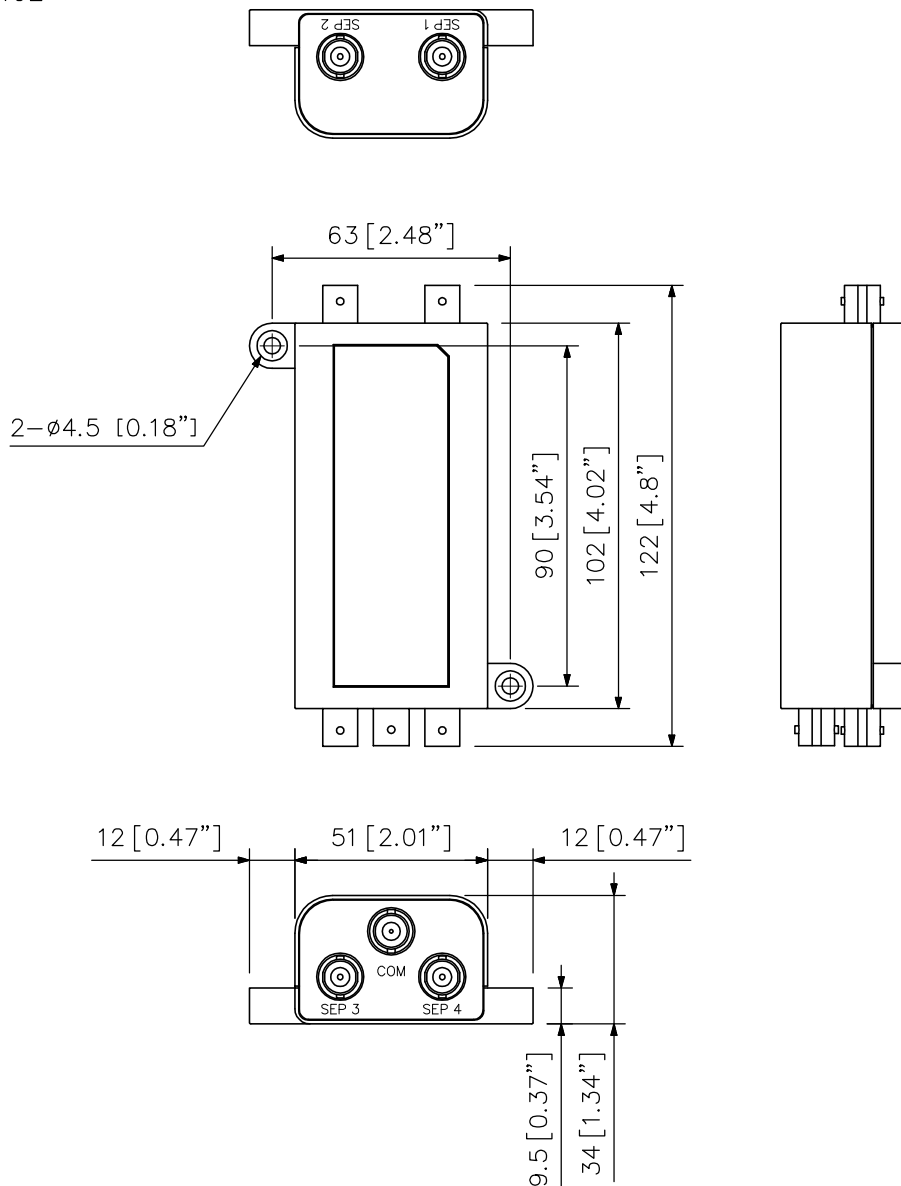
DESCRIPTION

The YW-1024 is a distributor that can work in the frequency range of 1.6 to 1000 MHz (except 50 to 70 MHz). Power passing type permits easy power supply.

SPECIFICATIONS

| | |
|------------------------|--|
| Frequency Range | 1.6 – 1000 MHz (excluding 50 – 70 MHz) |
| Distribution Loss | 8.5 dB ±3 dB (between the Mixing and each Distribution terminals) |
| Input/Output Impedance | 75 Ω |
| Coaxial Connector | Mixing terminal: BNC jack, power passing type (30 V DC or less, 2 A or less) Distribution 1 – 4 terminals: BNC jack, power passing type (30 V DC or less, 1 A or less) |
| Operating Temperature | -10 °C to +50 °C (14 °F to 122 °F) |
| Operating Humidity | 90 %RH or less (no condensation) |
| Finish | ABS resin, gray |
| Dimensions | 75 (W) × 122 (H) × 34 (D) mm (2.95" × 4.8" × 1.34") |
| Weight | 120 g (0.26 lb) |
| Accessory | Unit fixing wood screw (4.1 × 25) ×2 |

APPEARANCE



UNIT: mm SCALE: 1/2