

## DESCRIPTION

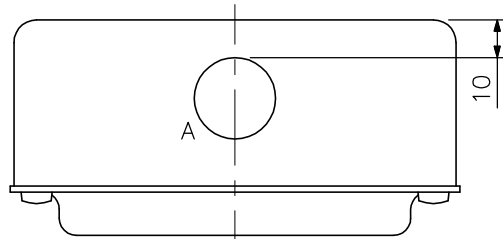
The YC-150 back box is used with the PC-391/PC-391T or N-8050DS flush-mounting kit.

## SPECIFICATIONS

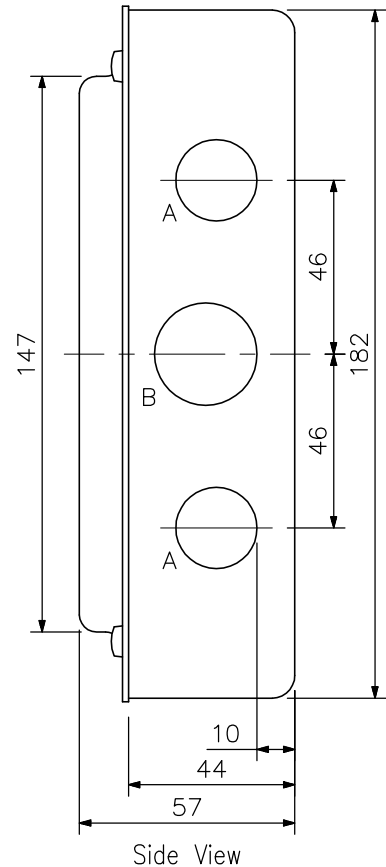
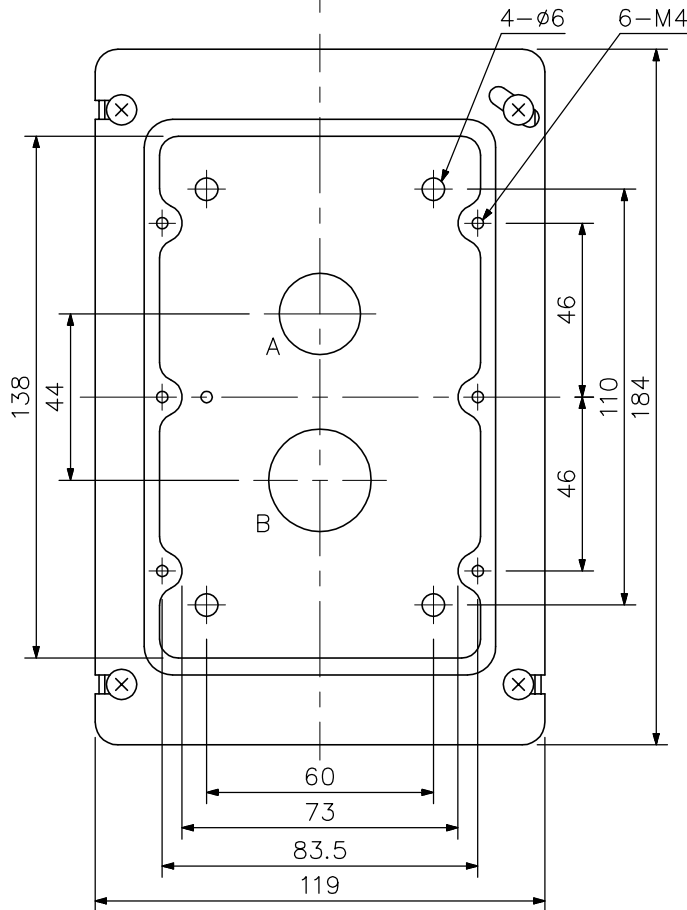
Finish	Zinc-plating, t1.6
Dimensions	184 (W) × 119 (H) × 57 (D) mm
Weight	700 g

## APPEARANCE

Top View

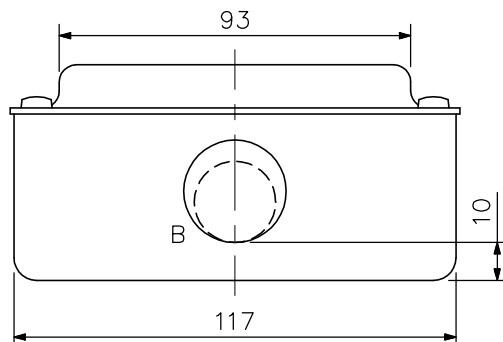


Front View



Side View

Bottom View



Dimension of knockout hole  
 A: 21.5  
 B: 27.1

UNIT: mm SCALE: 1/2