



# WIRELESS MICROPHONE PRESS-TALK TYPE

WM-5420-EB WD4  
 WM-5420-AS WC4  
 WM-5420-AS WF1

## ■ Specifications

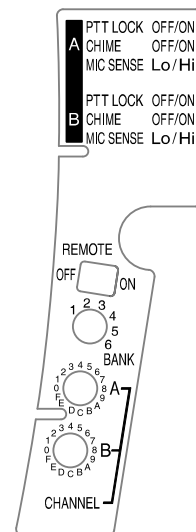
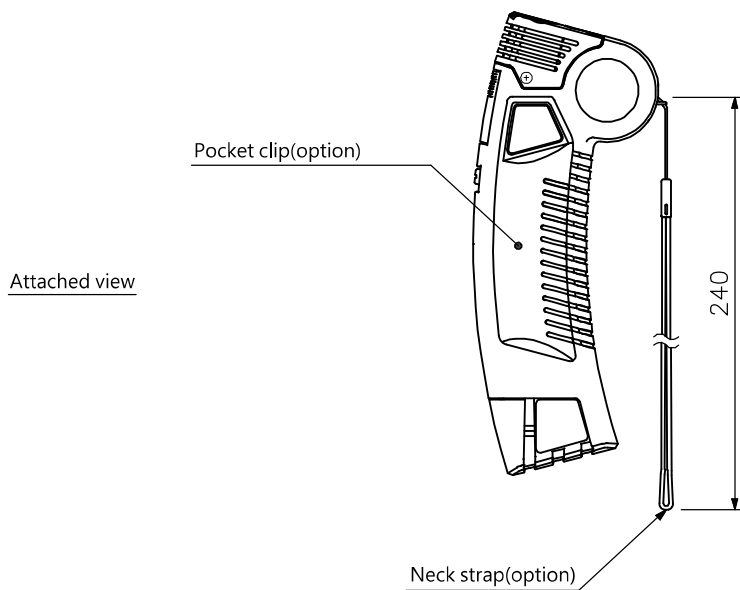
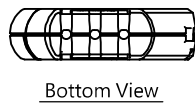
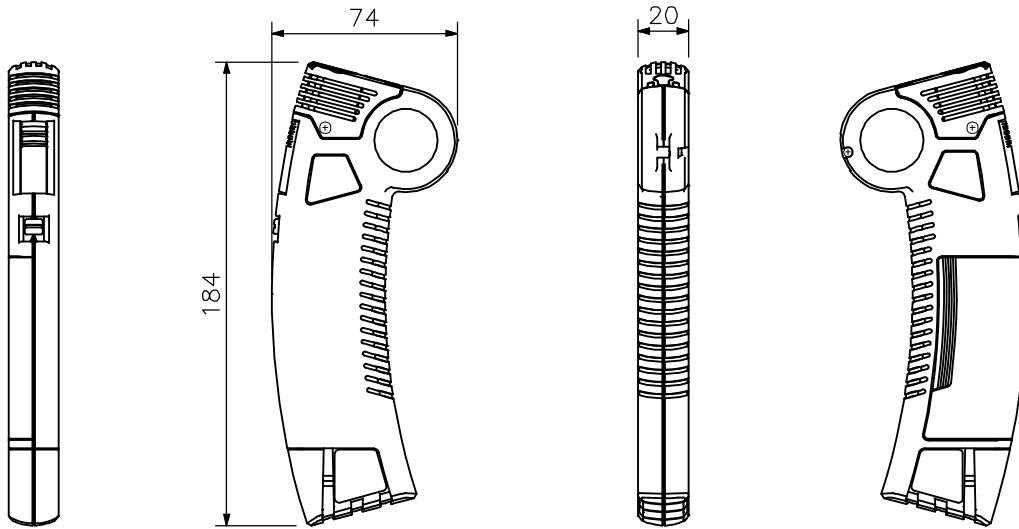
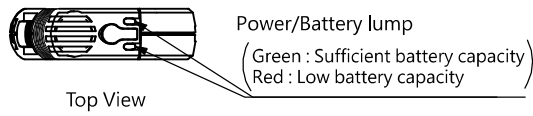
\*0 dB=0.775 V

Emission	F3E
Frequency range	636 - 865MHz(*) , UHF
Channel selectable	64 channels ( the numbe of channles may differ from country to country)
Tone frequency	32.768 kHz
Oscillator	PLL synthesized
RF carrier power	10 mW
Modulation sensitivity	± 4.8 kHz
Maximum input level	132 dB SPL (±38kHz Dev.)
EXT Mic input level	-45 dB* (1kHz ± 4.8kHz Dev.)
Microphone element	Unidirectional electret condenser microphone
Frequency response	200 Hz ~ 12 kHz
Preemphasis	50us
Antenna	Built-in type
Battery	AA alkaline dry cell battery
Battery life	approx. 10 h(when the alkaline battery is used)
function	A/B channels function SW , Talk SW lock , Mic sensitivity Lo/Hi SW Chime function SW , Battery life indicator , AUX microphone input
Operating Temperature	-10°C ~ +50°C
Operating Humidity	30% ~85%RH
Finish	ABS Resin ,coating
Weight	105g (with battery)
Dimensions	74 ( W ) X 184 ( H ) X 20 ( D ) mm
Accessory	Clip.....1 , Neck strap.....1 , Screw driver.....1
Option	Headset microphone : YP-M301 Close-talking microphone : YP-M201 Tie-clip microphone : YP-M101

(\*)

Type	Frequency Range
WD4	863 - 865 MHz, UHF
WC4	794 - 806 MHz, UHF
WF1	636 - 666 MHz, UHF

■ APPEARANCE



Inside of a battery cover

UNIT : mm SCALE : 1 / 3