

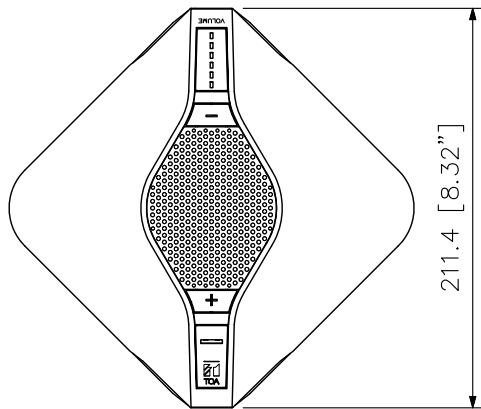
DESCRIPTION

The TS-D1100-SP Speaker Unit is specially designed for use with TOA's TS-D1100 Series Digital Conference System. This single speaker unit provides clear conference audio to all participants within a radius of approximately 3 meters.

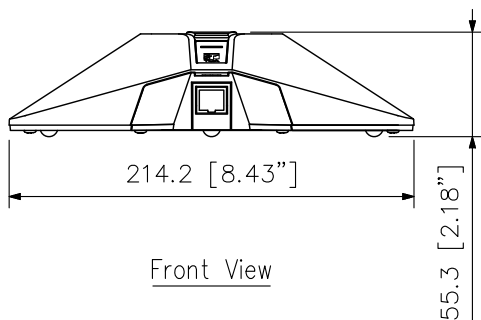
SPECIFICATIONS

Power Source	24 V DC (supplied from the TS-D1100-MU Master control unit (option), TS-D1000-SU Sub control units (option), or TS-D1000-EX Extension units (option))
Power Consumption	5 W or less
Frequency Response	100 Hz - 13 kHz
Signal to Noise Ratio	60 dB or more (A-weighted)
Speaker Output	8 Ω, 1 W 80 dB SPL
Connecting Terminal	RJ45 connector X2
LED Indicator	Power indicator, Volume indicator
Function	Volume control function
Operating Temperature	0 °C to +40 °C (32 °F to 104 °F)
Operating Humidity	90 %RH or less (no condensation)
Finish	Case: ABS resin, black
Dimensions	214.2 (W) × 55.3 (H) × 211.4 (D) mm (8.43" × 2.18" × 8.32")
Weight	550 g (1.21 lb)

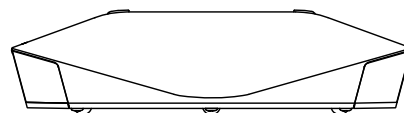
APPEARANCE



Top View



Front View



Side View

UNIT:mm SCALE:1/4