

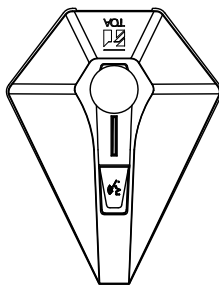
■DESCRIPTION

The TS-D1100-MC Microphone Unit is integrated with a gooseneck microphone, and specifically designed for use with TOA's TS-D1100 Series Digital Conference System, using CAT5e STP LAN cables.

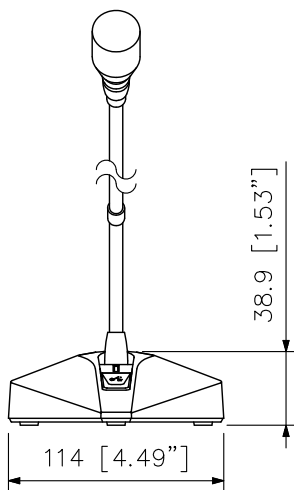
■SPECIFICATIONS

Power Source	24 V DC (supplied from the TS-D1100-MU Master control unit (option), TS-D1000-SU Sub control units (option), or TS-D1000-EX Extension units (option))
Power Consumption	0.4 W or less
Frequency Response	100 Hz - 13 kHz
Signal to Noise Ratio	65 dB or more (A-weighted)
Connecting Terminal	RJ45 connector ×2
LED Indicator	Power/Speech indicator, indicator
Function	Speech function
Operating Temperature	0 °C to +40 °C (32 °F to 104 °F)
Operating Humidity	90 %RH or less (no condensation)
Finish	Shaft: Brass, black Case: ABS resin, black
Dimensions	114 (W) × 516 (H) × 145.9 (D) mm (4.49" × 20.31" × 5.74")
Weight	330 g (0.73 lb)

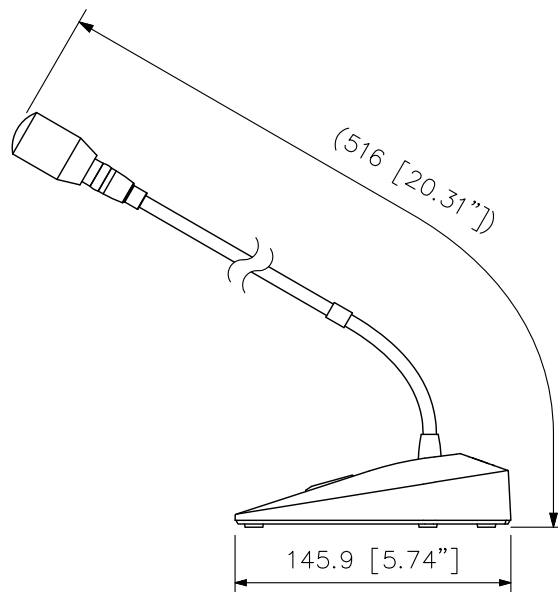
■APPEARANCE



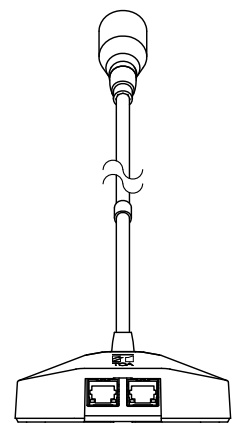
Top View



Front View



Side View



Rear View

UNIT:mm SCALE:1/4

Note: Numerical values in parentheses are for reference only.