

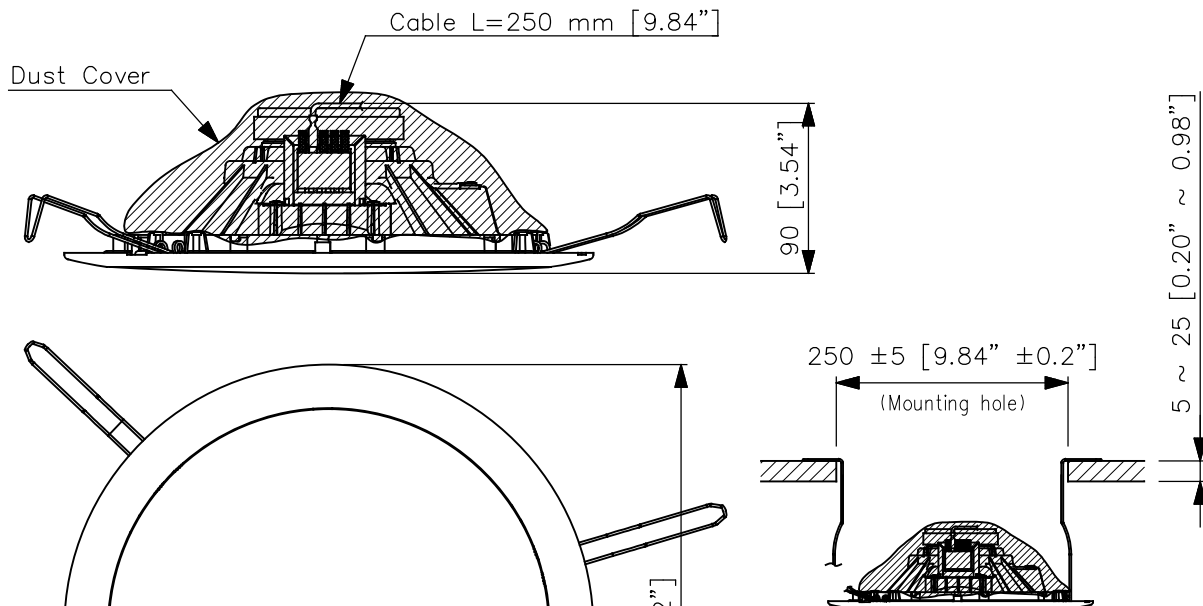
DESCRIPTION

Integrated with a resin panel and speaker frame, the PC-668R-AS is the ceiling mount speaker with a spring clamp. It features a spring clamp mechanism for easy speaker mounting to ceiling. The input impedance can be easily changed by changing the tap of the transformer.

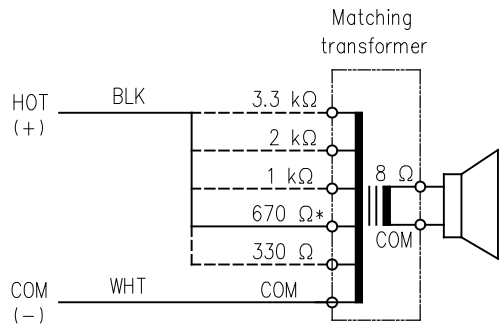
SPECIFICATIONS

| | |
|---------------------------|--|
| Rated Input | 15 W (100 V, 70 V line) |
| Impedance option | 100 V line: 670 Ω (15 W), 1 kΩ (10 W), 2 kΩ (5 W), 3.3 kΩ (3 W) 70 V line: 330 Ω (15 W), 670 Ω (7.5 W), 1 kΩ (5 W), 2 kΩ (2.5 W), 3.3 kΩ (1.5 W) |
| Sensitivity | 96 dB (Pink Noise 500 Hz ~ 5,000 Hz / 1 W, 1 m) |
| Frequency Response | 65 - 20,000 Hz (at 20 dB below peak SPL) |
| Speaker Component | 20 cm (8") double cone type |
| Speaker Mounting Method | Spring clamp |
| Dimension for Fixing Hole | Mounting hole : $\phi 250 \pm 5$ mm ($\phi 9.84" \pm 0.2"$) Ceiling thickness : 5 ~ 25 mm (0.20" ~ 1.98") |
| Finish | Panel : Polypropylene resin, traffic - white (RAL 9016 or equivalent color) Grille : Surface - treated steel plate net, traffic - white (RAL 9016 or equivalent color), paint |
| Dimensions | $\phi 280 \times 90$ (D) ($11.02" \times 3.54"$) |
| Weight | 0.96 kg (2.12 lb) |
| Accessories | Paper pattern1 |

APPEARANCE



Mounting diagram
(Scale 1/4)



Wiring Diagram * Factory preset

UNIT: mm SCALE: 1/2