

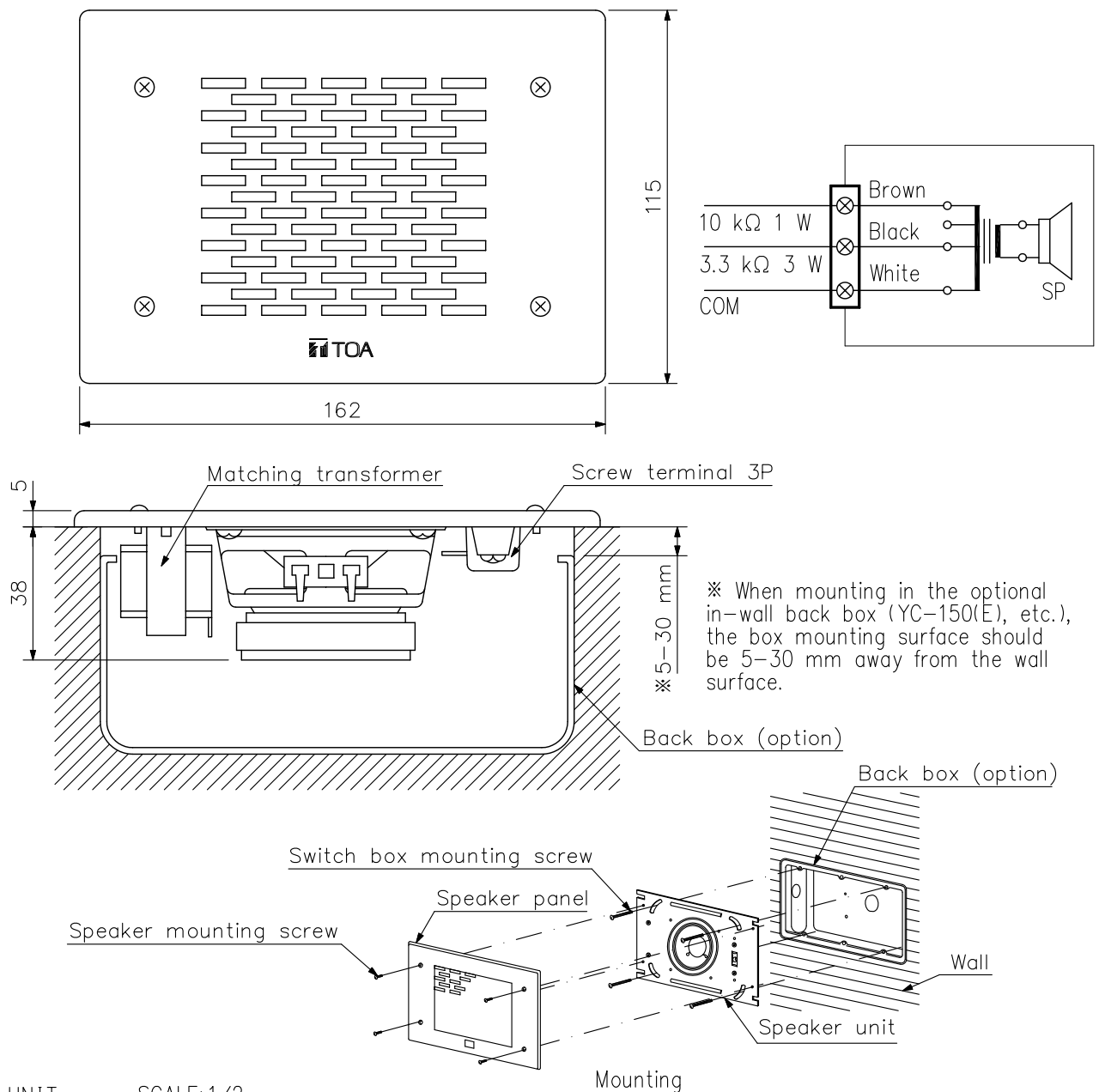
DESCRIPTION

The PC-391 is a small flush-mount wall speaker. Its ideal applications include hotel and hospital rooms, and reception counters in the banks and clinics.

SPECIFICATIONS

| | |
|----------------------|---|
| Rated Input | 3 W |
| Rated Impedance | 3.3 k Ω , 10 k Ω |
| Sound Pressure Level | 90.7 dB (3 W, 1 m) |
| Frequency Response | 150 Hz - 18 kHz |
| Speaker Component | 7.7 cm cone-type speaker |
| Finish | Baffle: Stainless steel Grille: Aluminum, silver |
| Dimensions | 162 (W) x 115 (H) x 43 (D) mm (excluding the projected screw heads) |
| Weight | 560 g |
| Accessory | Switch box mounting screw $\times 4$, Speaker mounting screw $\times 4$, Wood screw $\times 4$ |

APPEARANCE



UNIT:mm SCALE:1/2