

### DESCRIPTION

The PC-2268WP is a splash-proof surface mount ceiling speaker with rated input of 6 W (100 V line application). It meets IPX4 water protection requirements and can be installed in locations where it may not be directly exposed to wind and rain. Compact and attractive design to blend in with interior spaces. The push-in type input terminal provides an easy cable connection and allows bridge wiring. The input power change can be made easily by changing the tap position of the transformer. Rear-closed structure with a rear cover keeps performance and sound quality constant regardless of installation location.

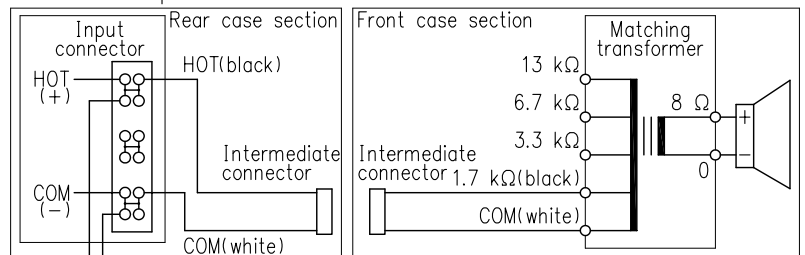
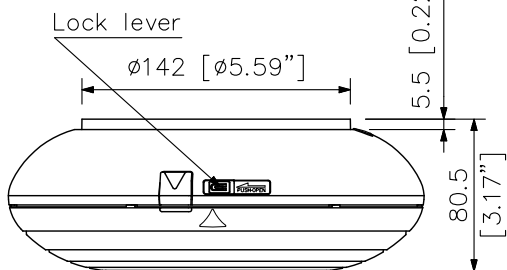
### SPECIFICATIONS

Rated Input	6 W (for 100 V line), 3 W (for 70 V line)
Rated Impedance	100 V line: 1.7 kΩ (6 W), 3.3 kΩ (3 W), 6.7 kΩ (1.5 W), 13 kΩ (0.8 W) 70 V line: 1.7 kΩ (3 W), 3.3 kΩ (1.5 W), 6.7 kΩ (0.8 W), 13 kΩ (0.4 W)
Sensitivity	90 dB (1 W, 1 m, 330 Hz - 3.3 kHz, pink noise)
Frequency Response	160 Hz - 16 kHz (20 dB below peak)
Speaker Component	12 cm (5") cone-type
Applicable Cable	600 V vinyl-insulated cable (1V wire or HIV wire) Solid copper wire: $\phi 0.8 - \phi 1.6$ mm (equivalent to AWG 20 - 14) 7-core twisted copper wire: 0.75 - 1.25 mm <sup>2</sup> (equivalent to AWG 18 - 16)
Connection	Push-in connector (bridging terminal)
Operating Temperature	-10 °C to +50 °C (14 °F to 122 °F)
Water Protection	IPX4 (conforms when the unit is installed to a flat horizontal ceiling.)
Finish	Front case, Rear case: Fire-resistant HIPS resin (resin material grade: UL94V-0), light gray Speaker mounting bracket: Surface-treated steel plate, off-white, powder coating
Dimensions	$\phi 220 \times 80.5$ (D) mm ( $\phi 8.66" \times 3.17"$ ) (unit only, excluding projection) $\phi 150 \times 5$ (D) mm ( $\phi 5.91" \times 0.2"$ ) (speaker mounting panel, excluding mounting screw)
Weight	890 g (1.96 lb) (unit only), 180 g (0.4 lb) (speaker mounting panel)
Accessory	Speaker mounting panel $\times 1$ , Switch box mounting screw (M4 $\times$ 35) $\times 2$ , Ceiling mounting screw (4 $\times$ 35) $\times 2$ , Knob nut $\times 2$

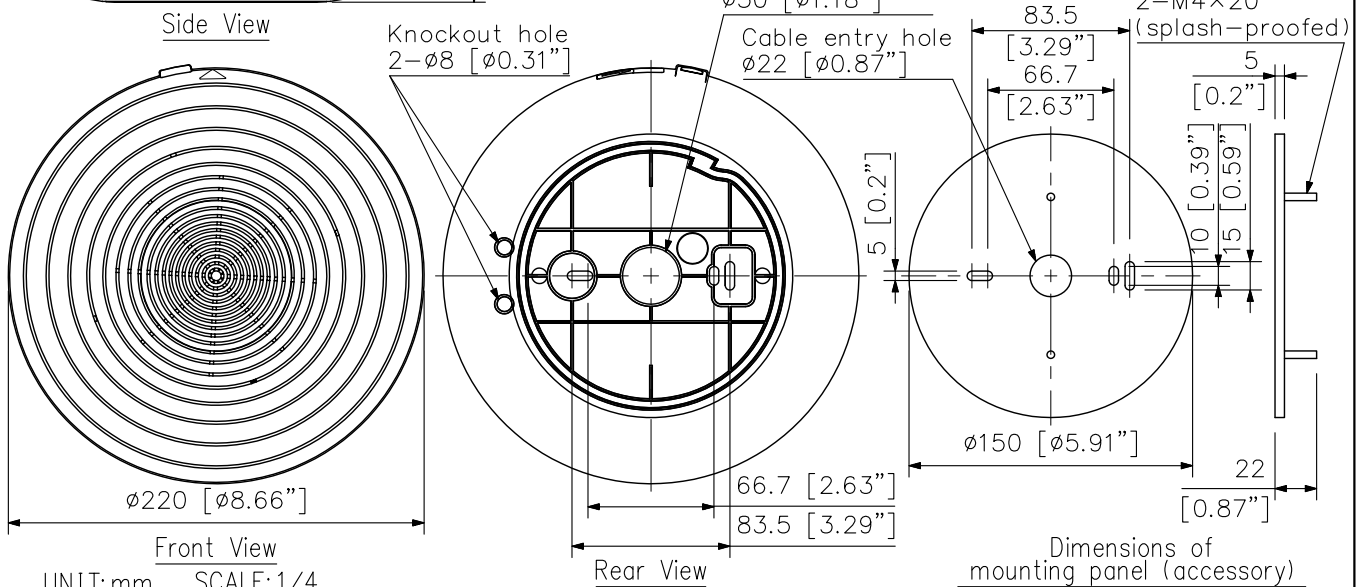
Notes: Although the speaker meets IPX4 splash-proof requirements, avoid installing it in the following locations, including outdoor locations where it may be directly exposed to wind and rain. Failure to follow this instruction could result in equipment failures or cause the speaker to fall due to deterioration of its mounting parts.

1. Locations directly exposed to salt water near the seashore
2. Locations where rainwater or other liquids could enter the speaker through cable tubing, cable materials, mounting box, etc.
3. Locations exposed to constant vibration
4. Indoor swimming pools or such locations where liquid chemicals are used
5. Kitchens or such locations where grease or oily smoke is generated

### APPEARANCE



Note: The input is factory-preset to 1.7 kΩ.  
Wiring diagram



UNIT: mm SCALE: 1/4