

**DESCRIPTION**

The PC-2268 is a surface-mount speaker with rated input of 6 W (100 V line application) designed for ceiling surface or wall surface installations. With the additional use of an electrical box, it can be installed to the location where no wall or ceiling is available for mounting. Compact and attractive design to blend in with interior spaces. The push-in type input terminal provides an easy cable connection and allows bridge wiring. The input power change can be made easily by changing the tap position of the transformer. Rear-closed structure with a rear cover keeps performance and sound quality constant regardless of installation location.

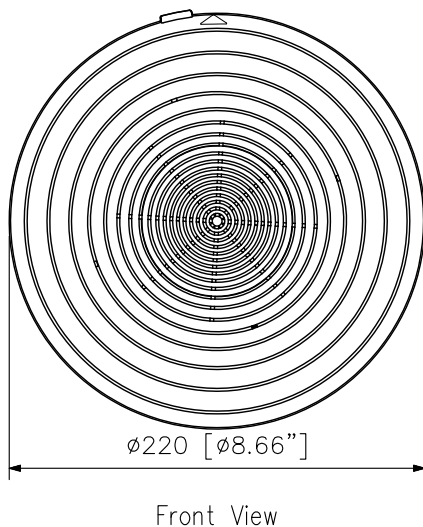
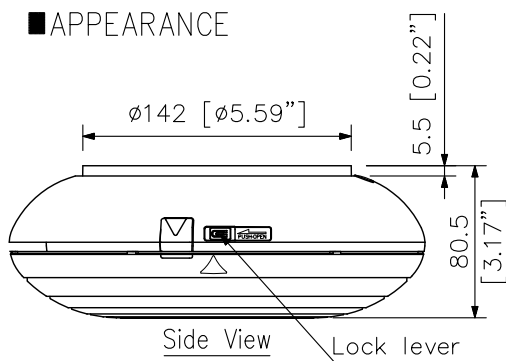
**SPECIFICATIONS**

Rated Input	6 W (for 100 V line), 3 W (for 70 V line)
Rated Impedance	100 V line: 1.7 kΩ (6 W), 3.3 kΩ (3 W), 6.7 kΩ (1.5 W), 13 kΩ (0.8 W) 70 V line: 1.7 kΩ (3 W), 3.3 kΩ (1.5 W), 6.7 kΩ (0.8 W), 13 kΩ (0.4 W)
Sensitivity	90 dB (1 W, 1 m, 330 Hz - 3.3 kHz, pink noise)
Frequency Response	160 Hz - 14 kHz (20 dB below peak)
Speaker Component	12 cm (5") cone-type
Applicable Cable	600 V vinyl-insulated cable (1V wire or HIV wire) Solid copper wire: $\phi 0.8 - \phi 1.6$ mm (equivalent to AWG 20 - 14) 7-core twisted copper wire: 0.75 - 1.25 mm <sup>2</sup> (equivalent to AWG 18 - 16)
Connection	Push-in connector (bridging terminal)
Operating Temperature	-10° to +50° (14°F to 122°F)
Finish	Front case, Rear case: Fire-resistant HIPS resin (resin material grade: UL94V-0), light gray
Dimensions	$\phi 220 \times 80.5$ (D) mm ( $\phi 8.66" \times 3.17"$ ) (excluding projection)
Weight	880 g (1.94 lb)
Accessory	Switch box mounting screw (M4 $\times$ 35) $\times 2$ , Ceiling mounting screw (4 $\times$ 35) $\times 2$

Note: The speaker is designed for indoor use. Avoid installing it in the following locations.  
Failure to follow this instruction could result in equipment failure or cause the speaker to fall due to deterioration of its mounting parts.

1. Locations directly exposed to salt water near the seashore
2. Locations where rainwater could enter the unit
3. Locations exposed to constant vibration
4. Indoor swimming pools or such locations where liquid chemicals are used
5. Kitchens or such locations where grease or oily smoke is generated
6. Steamy, humid, or dusty locations

**APPEARANCE**



UNIT:mm SCALE:1/4

