

### DESCRIPTION

The F-1000 Series Speaker are compact two-way speaker systems designed for high efficiency, wide range, and high power input handling capability. These speaker systems can be installed in a manner ideal for the location and intended application. The F-1000BTWP features a water-proof design (splash-proof type meeting IPX4 standard), so that it can be permanently installed outdoors.

### SPECIFICATIONS

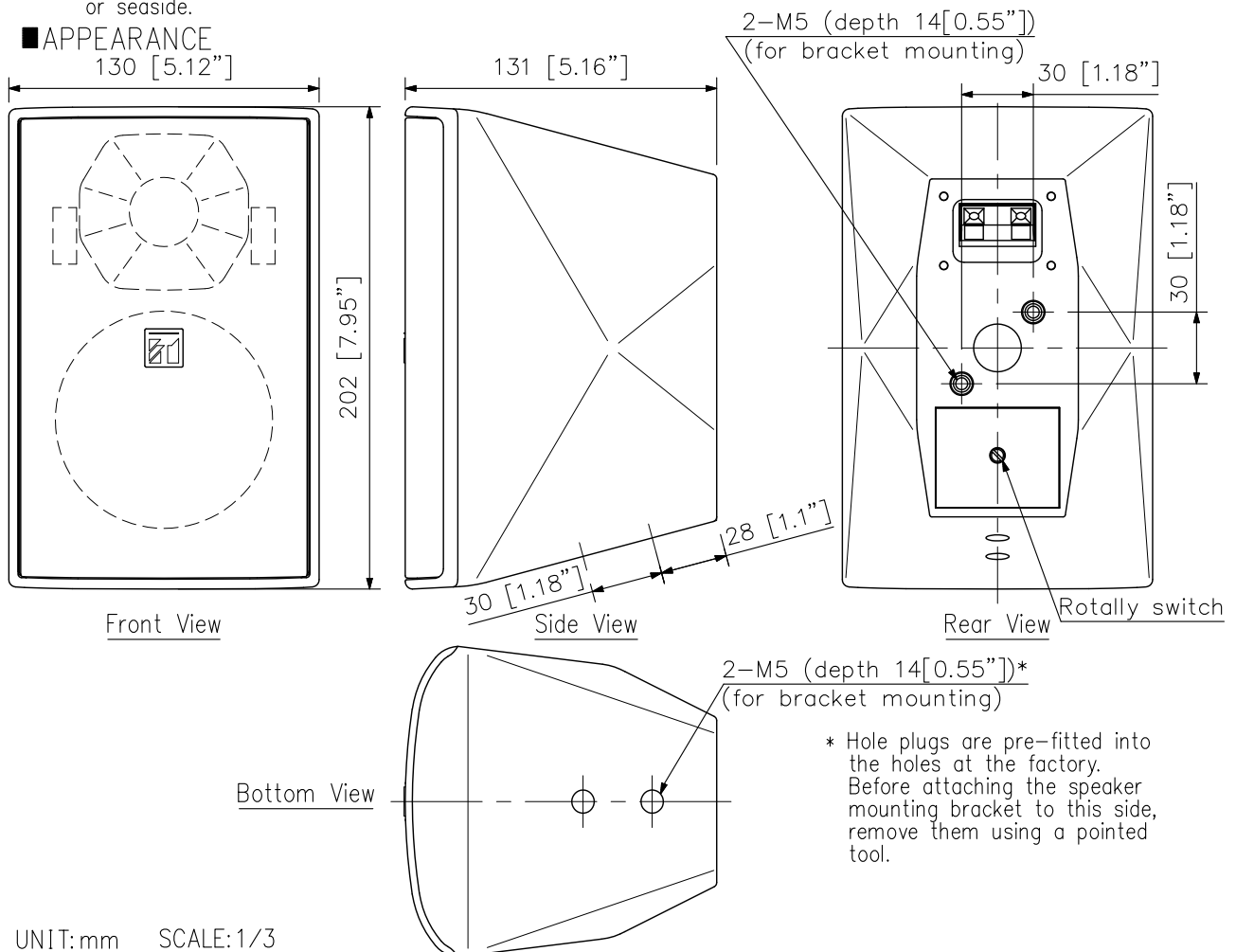
|                       |  |
|-----------------------|--|
| Enclosure             | Bass-reflex type   |
| Rated Input           | 15 W   |
| Rated Impedance       | 100 V line: 670 Ω (15 W), 2 kΩ (5 W), 3.3 kΩ (3 W), 10 kΩ (1 W)<br>70 V line: 330 Ω (15 W), 670 Ω (7.5 W), 2 kΩ (2.5 W), 3.3 kΩ (1.5 W), 10 kΩ (0.5 W)   |
| Sensitivity           | 87 dB (1 W, 1 m) at installation in 1/2 free sound field   |
| Frequency Response    | 85 Hz - 20 kHz, -10 dB at installation in 1/2 free sound field   |
| Crossover Frequency   | 5 kHz  |
| Directivity Angle     | Horizontal: 90°, Vertical: 90°   |
| Speaker Component     | Low frequency: 10 cm (4") cone-type High frequency: Balanced dome tweeter  |
| Input Terminal        | Push-in terminal   |
| Water Protection      | IPX4   |
| Operating Temperature | -10 °C to +50 °C (14 °F to 122 °F)   |
| Finish                | Enclosure: HIPS, black<br>Punched net: Surface-treated steel plate, black, anticorrosive paint<br>Joint bracket, wall bracket: Stainless steel<br>Speaker bracket: Die-cast aluminum, black, paint |
| Dimensions            | 130 (W) × 202 (H) × 131 (D) mm (5.12" × 7.95" × 5.16")   |
| Weight                | 2 kg (4.41 lb) (including the supplied brackets)   |
| Accessory             | Speaker bracket ×1, Joint bracket ×1, Wall bracket ×1,<br>Bracket fixing screw ×1 set, Terminal cover ×1, Terminal cover mounting screw ×4   |
| Option                | Speaker mount bracket: YS-60B  |

Note: Bolts and nuts for mounting the bracket to the wall or ceiling are not included. Prepare them separately. Avoid installing the speaker in locations close to the seashore or in indoor swimming facilities that are not well ventilated. In such locations the bracket may be vulnerable to corrosion, eventually allowing the speaker to fall resulting in personal injury.

#### ※ Caution on installation

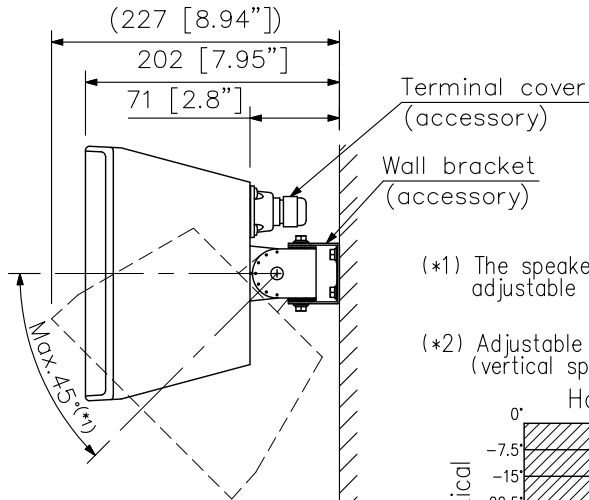
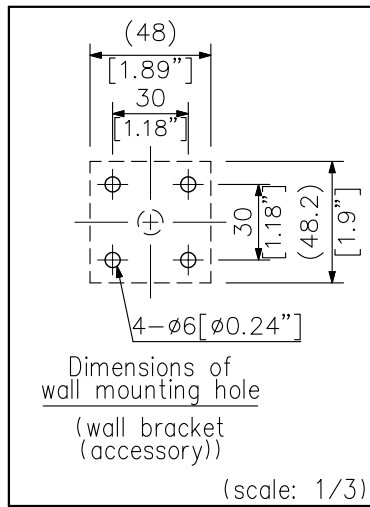
Do not install the F-1000BTWP at places where it is likely to be corroded such as bath room, indoor pools, or seaside.

### APPEARANCE

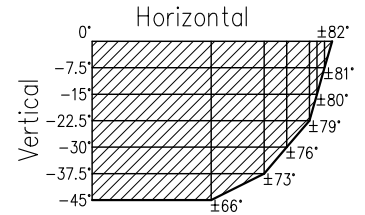


UNIT:mm SCALE:1/3

■ APPEARANCE

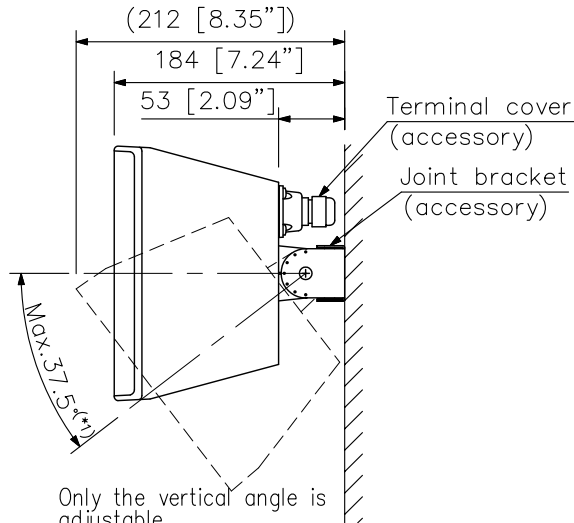
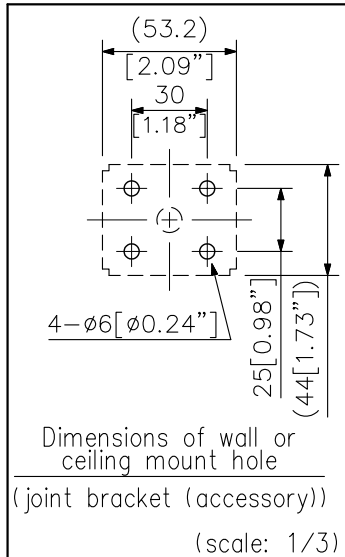


- (\*1) The speaker vertical angle adjustable in 7.5° steps.
- (\*2) Adjustable angle (vertical speaker mounting)



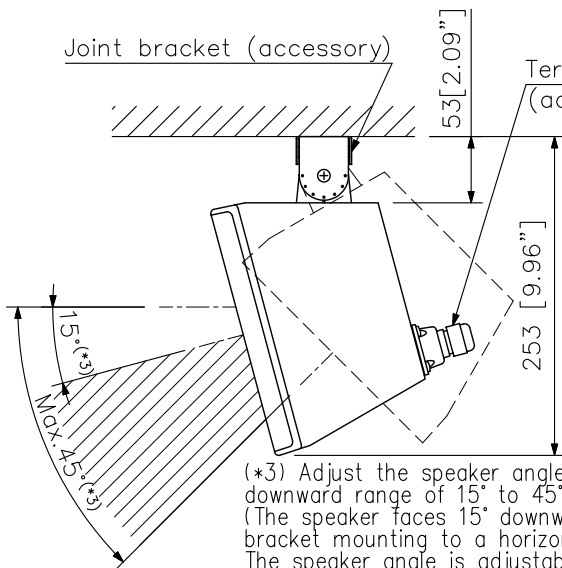
Up to 82° left or right is adjustable in a horizontal direction. (\*2)

Wall mounting example



Only the vertical angle is adjustable.

Mounting the speaker close to a wall surface

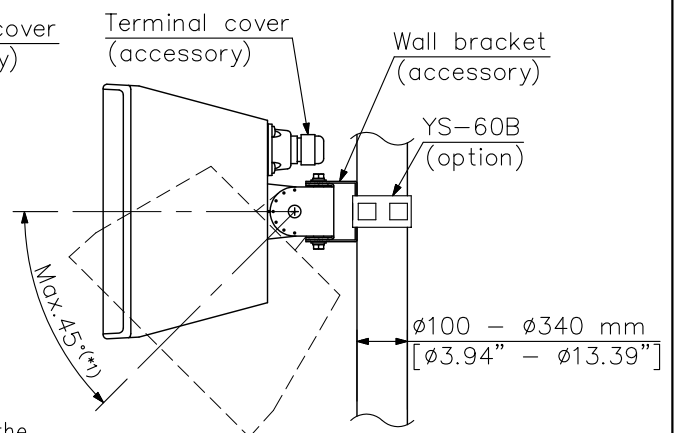


- (\*3) Adjust the speaker angle within the downward range of 15° to 45°. (The speaker faces 15° downward when bracket mounting to a horizontal surface.) The speaker angle is adjustable in 7.5° steps in a vertical direction only.

Ceiling mount example

(Only the vertical speaker mounting is allowed.)

UNIT: mm SCALE: 1/6



Up to 90° left or right is adjustable in a horizontal direction. (\*2)

Pole mounting example

(Only the vertical speaker mounting is allowed.)