

DESCRIPTION

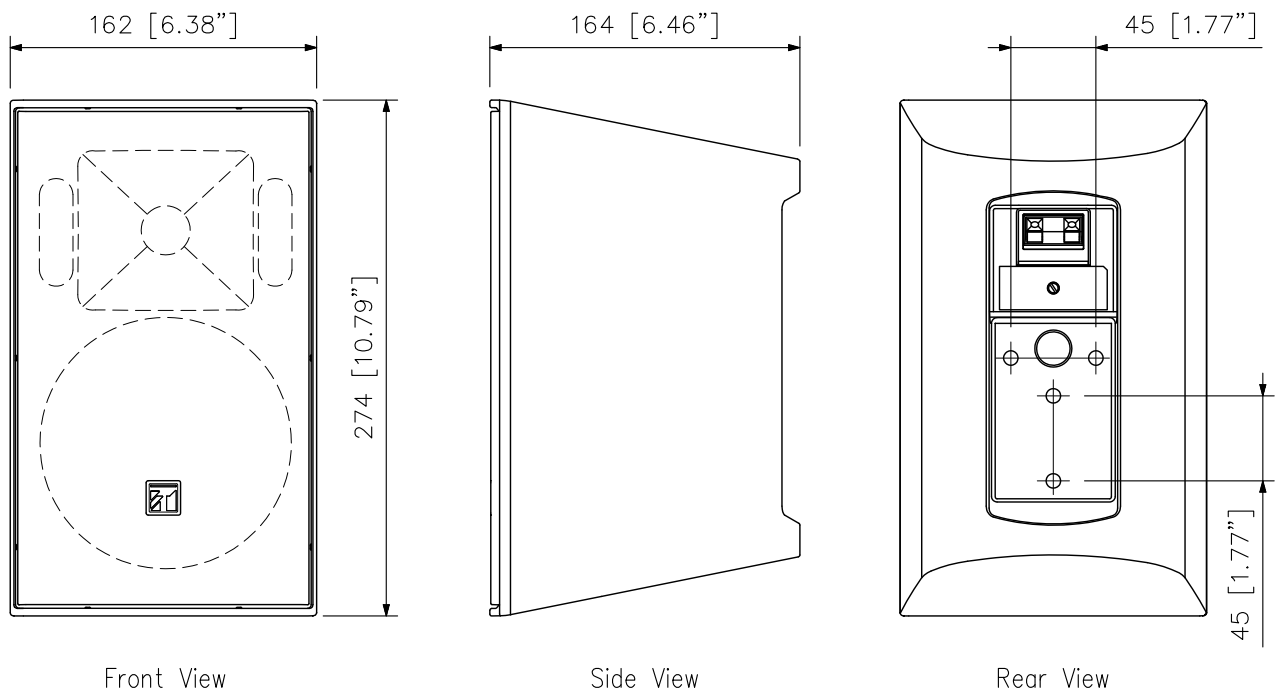
The F-05BT is a 2-way surface-mount speaker system designed to deliver high-quality audio for a variety of applications. This versatility makes it ideal for foreground or background music playback, as well as public address announcements. The F-05BT boasts a sleek aesthetic that seamlessly integrates with walls and ceilings, minimizing its visual impact and complementing a wide range of architectural styles. The innovative mounting hardware incorporates a temporary hanging feature, allowing for easy and secure single-handed installation with effortless wiring and angle adjustments.

SPECIFICATIONS

Enclosure	Bass-reflex type
Power Handling Capacity (*1)	Rated noise power: 60 W (8 Ω) Continuous program: 120 W (8 Ω)
Rated Input	30 W (100 V line, 70 V line)
Rated Impedance	8 Ω 100 V line: 330 Ω (30 W), 1 kΩ (10 W), 3.3 kΩ (3 W), 10 kΩ (1 W) 70 V line: 170 Ω (30 W), 330 Ω (15 W), 1 kΩ (5 W), 3.3 kΩ (1.5 W), 10 kΩ (0.5 W)
Sensitivity	90 dB (1 W, 1 m) at installation in 1/2 free sound field
Frequency Response	60 Hz – 20 kHz, -10 dB at installation in 1/2 free sound field
Crossover Frequency	4.5 kHz
Directivity Angle	Horizontal: 100°, Vertical: 100°
Speaker Component	Low frequency: 13 cm (5") PPcone-type High frequency: 25 mm (1") dome tweeter
Input Terminal	Push-in terminal
Operating Temperature	-10 °C to +50 °C (14 °F to 122 °F)
Installation Environment	Indoor installation
Finish	Enclosure: HIPS, black (RAL 9011 equivalent), paint Grille: Aluminum, black (RAL 9011 equivalent), paint Speaker bracket: Die-cast aluminum, black (RAL 9011 equivalent), paint Base bracket: Steel plate, t4, black (RAL 9011 equivalent), paint Base bracket cover: HIPS, black (RAL 9011 equivalent)
Dimensions	162 (W) × 274 (H) × 164 (D) mm (6.38" × 10.79" × 6.46")
Weight	2.7 kg (5.95 lb)
Accessory	Speaker bracket ×1, Base bracket ×1, Base bracket cover ×1, Bracket fixing screw ×1 set
Option	Adapter plate: HY-F05B Speaker stand: ST-34B Note: K&M 19780 or K&M 19610 is required.

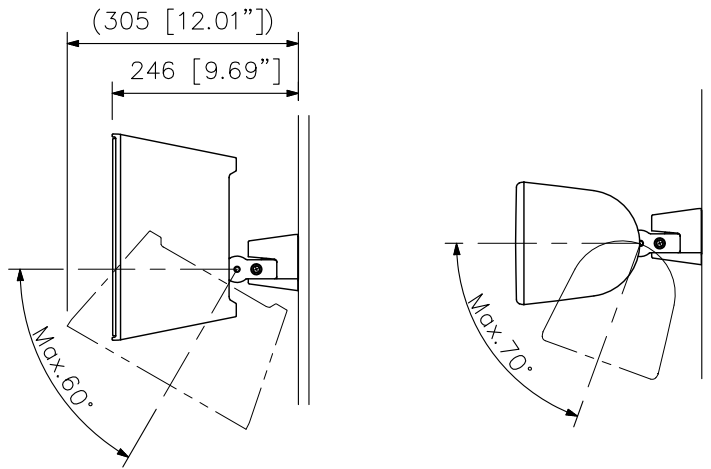
(\*1) Rated noise power is defined by IEC60268-5. Continuous program is 3 dB above Rated noise power.  
Note: Bolts and nuts for mounting the bracket to the wall or ceiling are not included. Prepare them separately.

APPEARANCE

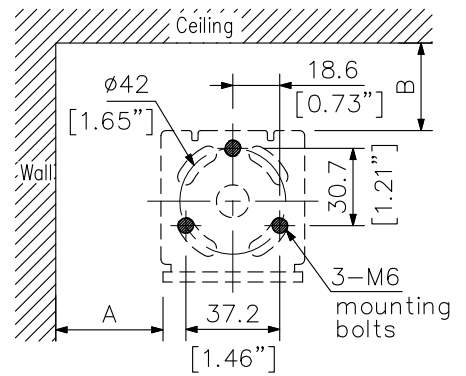


UNIT:mm SCALE:1/4

■ Wall mounting example

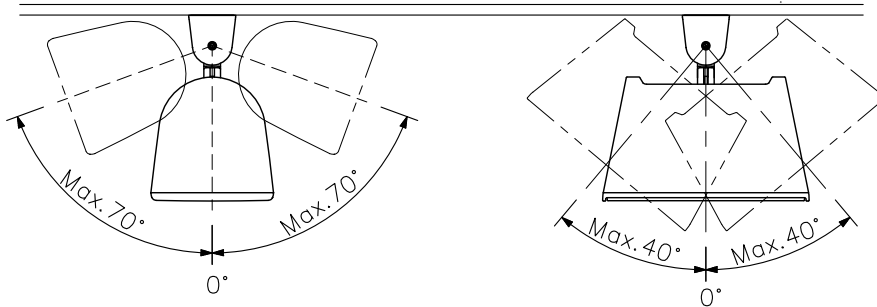


The angle can be adjusted in 10° steps.

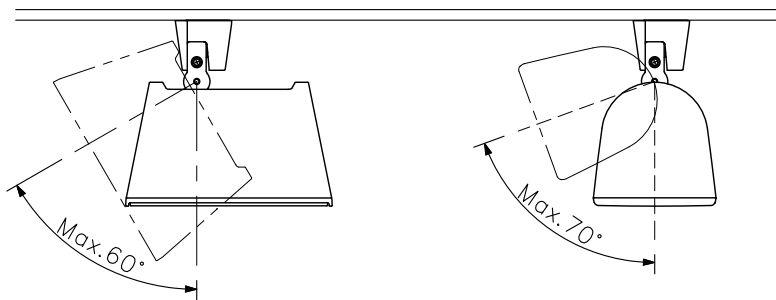


	Vertical installation	Horizontal installation
A	200 (7.87") or more	250 (9.84") or more
B	300 (11.81") or more	200 (7.87") or more

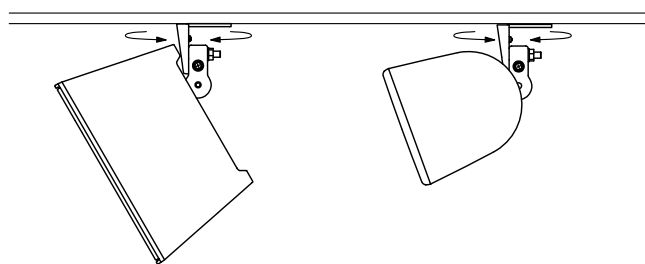
Dimensions of wall mounting hole  
(base bracket (accessory))  
(scale: 1/3)



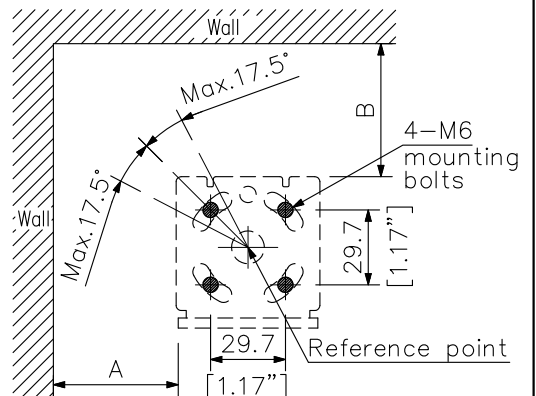
■ Ceiling mounting example



The angle can be adjusted in 10° steps.



The angle can be adjusted up to 17.5° left or right from the "Reference point" in the Base bracket.



	Vertical installation	Horizontal installation
A	150 (5.91") or more	200 (7.87") or more
B	250 (9.84") or more	250 (9.84") or more

Dimensions of wall or ceiling mount hole  
(base bracket (accessory))  
(scale: 1/3)

DESCRIPTION

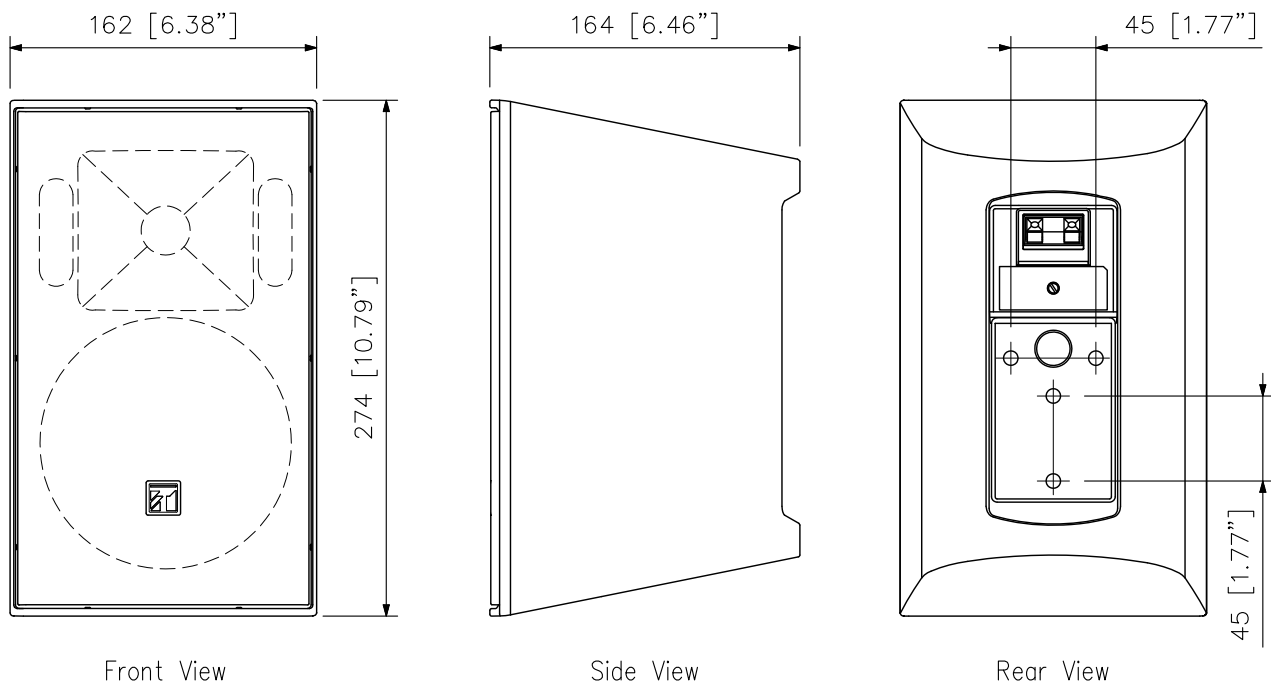
The F-05WT is a 2-way surface-mount speaker system designed to deliver high-quality audio for a variety of applications. This versatility makes it ideal for foreground or background music playback, as well as public address announcements. The F-05WT boasts a sleek aesthetic that seamlessly integrates with walls and ceilings, minimizing its visual impact and complementing a wide range of architectural styles. The innovative mounting hardware incorporates a temporary hanging feature, allowing for easy and secure single-handed installation with effortless wiring and angle adjustments.

SPECIFICATIONS

Enclosure	Bass-reflex type
Power Handling Capacity (*1)	Rated noise power: 60 W (8 Ω) Continuous program: 120 W (8 Ω)
Rated Input	30 W (100 V line, 70 V line)
Rated Impedance	8 Ω 100 V line: 330 Ω (30 W), 1 kΩ (10 W), 3.3 kΩ (3 W), 10 kΩ (1 W) 70 V line: 170 Ω (30 W), 330 Ω (15 W), 1 kΩ (5 W), 3.3 kΩ (1.5 W), 10 kΩ (0.5 W)
Sensitivity	90 dB (1 W, 1 m) at installation in 1/2 free sound field
Frequency Response	60 Hz - 20 kHz, -10 dB at installation in 1/2 free sound field
Crossover Frequency	4.5 kHz
Directivity Angle	Horizontal: 100°, Vertical: 100°
Speaker Component	Low frequency: 13 cm (5") PPcone-type High frequency: 25 mm (1") dome tweeter
Input Terminal	Push-in terminal
Operating Temperature	-10 °C to +50 °C (14 °F to 122 °F)
Installation Environment	Indoor installation
Finish	Enclosure: HIPS, white (RAL 9016 equivalent), paint Grille: Aluminum, white (RAL 9016 equivalent), paint Speaker bracket: Die-cast aluminum, white (RAL 9016 equivalent), paint Base bracket: Steel plate, t4, white (RAL 9016 equivalent), paint Base bracket cover: HIPS, white (RAL 9016 equivalent)
Dimensions	162 (W) x 274 (H) x 164 (D) mm (6.38" x 10.79" x 6.46")
Weight	2.7 kg (5.95 lb)
Accessory	Speaker bracket ×1, Base bracket ×1, Base bracket cover ×1, Bracket fixing screw ×1 set
Option	Adapter plate: HY-F05W Speaker stand: ST-34B Note: K&M 19780 or K&M 19610 is required.

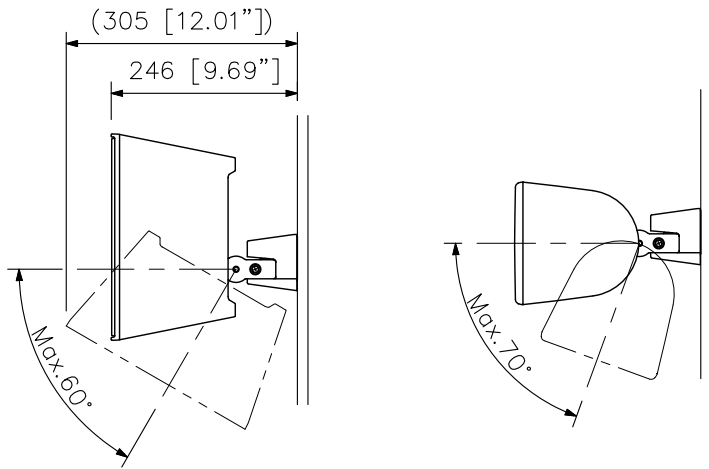
(\*1) Rated noise power is defined by IEC60268-5. Continuous program is 3 dB above Rated noise power.  
Note: Bolts and nuts for mounting the bracket to the wall or ceiling are not included. Prepare them separately.

APPEARANCE

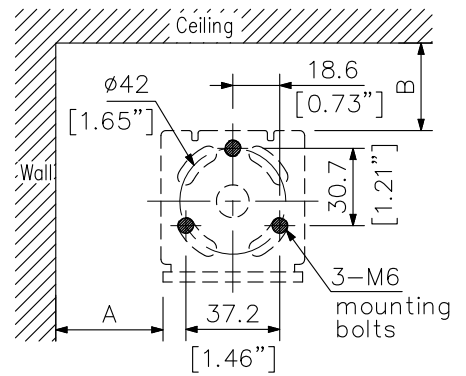


UNIT:mm SCALE:1/4

■ Wall mounting example

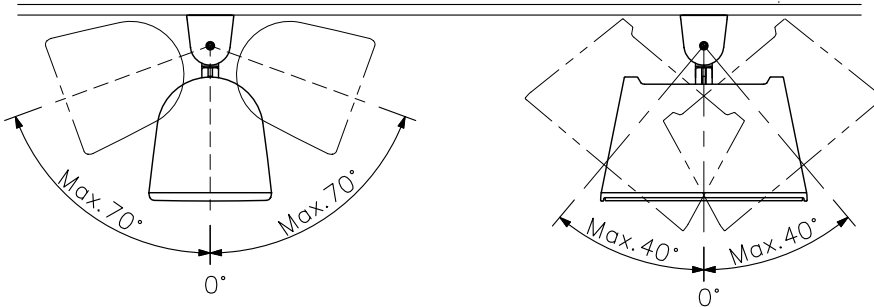


The angle can be adjusted in 10° steps.

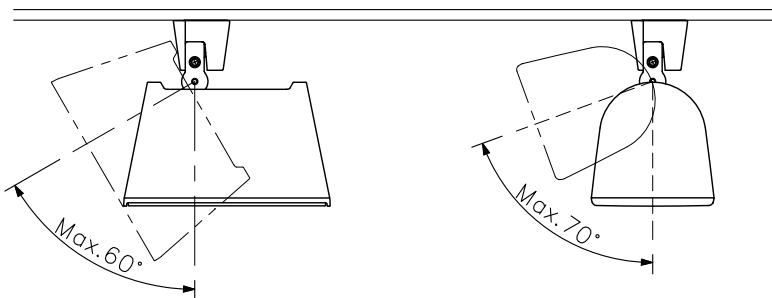


	Vertical installation	Horizontal installation
A	200 (7.87") or more	250 (9.84") or more
B	300 (11.81") or more	200 (7.87") or more

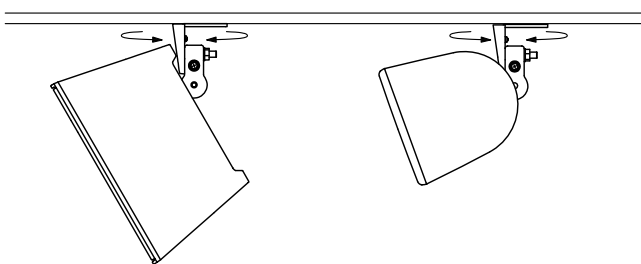
Dimensions of wall mounting hole  
(base bracket (accessory))  
(scale: 1/3)



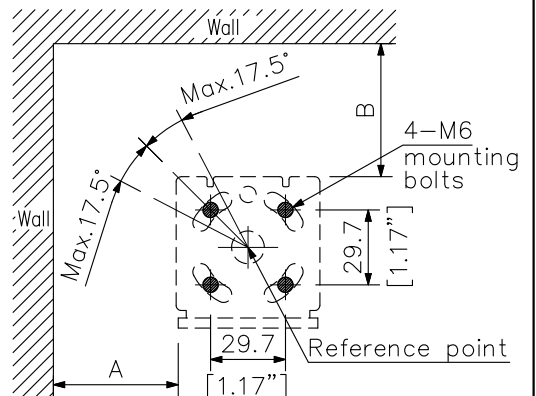
■ Ceiling mounting example



The angle can be adjusted in 10° steps.



The angle can be adjusted up to 17.5° left or right from the "Reference point" in the Base bracket.



	Vertical installation	Horizontal installation
A	150 (5.91") or more	200 (7.87") or more
B	250 (9.84") or more	250 (9.84") or more

Dimensions of wall or ceiling mount hole  
(base bracket (accessory))  
(scale: 1/3)