

■DESCRIPTION

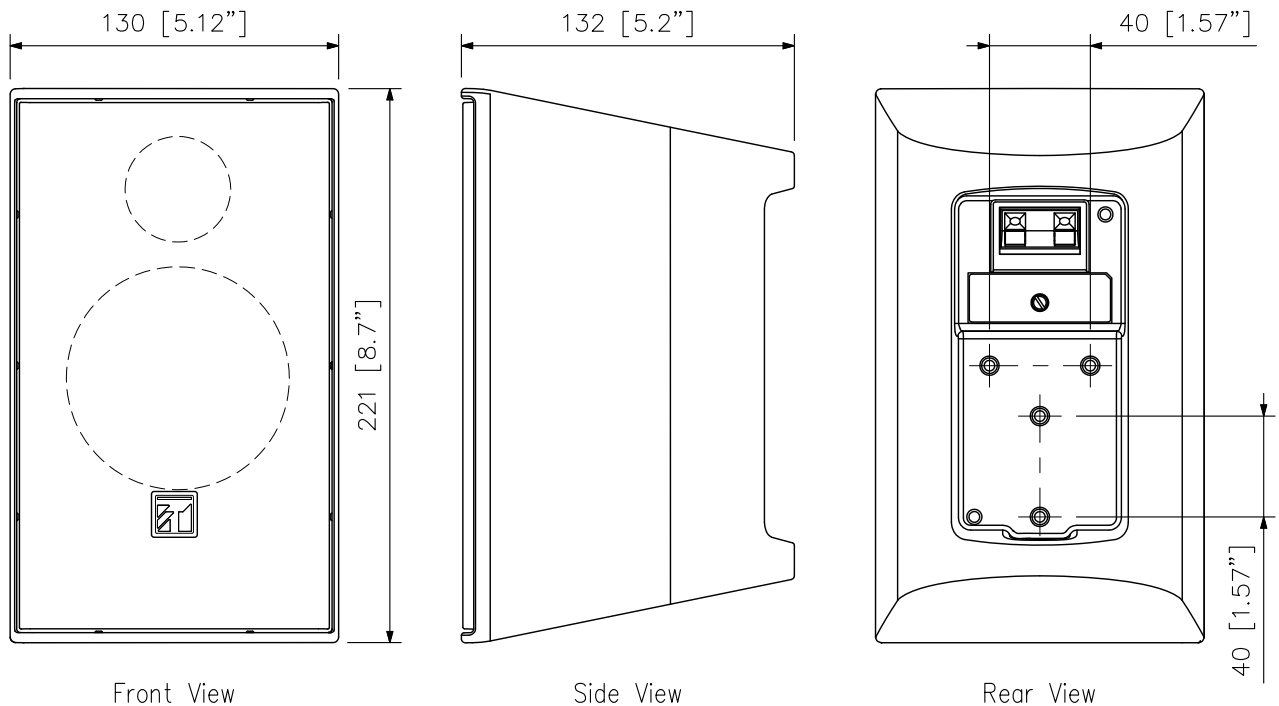
The F-03WT is a full-range surface-mount speaker system designed to deliver high-quality audio for a variety of applications. This versatility makes it ideal for foreground or background music playback, as well as public address announcements. The F-03WT boasts a sleek aesthetic that seamlessly integrates with walls and ceilings, minimizing its visual impact and complementing a wide range of architectural styles. The innovative mounting hardware incorporates a temporary hanging feature, allowing for easy and secure single-handed installation with effortless wiring and angle adjustments.

■SPECIFICATIONS

Enclosure	Bass-reflex type
Power Handling Capacity (*1)	Rated noise power: 30 W (8 Ω) Continuous program: 60 W (8 Ω)
Rated Input	15 W (100 V line, 70 V line)
Rated Impedance	8 Ω 100 V line: 670 Ω (15 W), 2 kΩ (5 W), 3.3 kΩ (3 W), 10 kΩ (1 W) 70 V line: 330 Ω (15 W), 670 Ω (7.5 W), 2 kΩ (2.5 W), 3.3 kΩ (1.5 W), 10 kΩ (0.5 W)
Sensitivity	87 dB (1 W, 1 m) at installation in 1/2 free sound field
Frequency Response	85 Hz – 20 kHz, -10 dB at installation in 1/2 free sound field
Directivity Angle	Horizontal: 100°, Vertical: 100°
Speaker Component	9 cm (3.5") Full-range PPcone-type
Input Terminal	Push-in terminal
Operating Temperature	-10 °C to +50 °C (14 °F to 122 °F)
Installation Environment	Indoor installation
Finish	Enclosure: HIPS, white (RAL 9016 equivalent), paint Grille: Aluminum, white (RAL 9016 equivalent), paint Speaker bracket: Die-cast aluminum, white (RAL 9016 equivalent), paint Base bracket: Steel plate, t4, white (RAL 9016 equivalent), paint Base bracket cover: HIPS, white (RAL 9016 equivalent)
Dimensions	130 (W) × 221 (H) × 132 (D) mm (5.12" × 8.7" × 5.2")
Weight	1.7 kg (3.75 lb)
Accessory	Speaker bracket ...1, Base bracket ...1, Base bracket cover ...1, Bracket fixing screw ...1 set
Option	Adapter plate: HY-F03W Speaker stand: ST-34B Note: K&M 19780 or K&M 19610 is required.

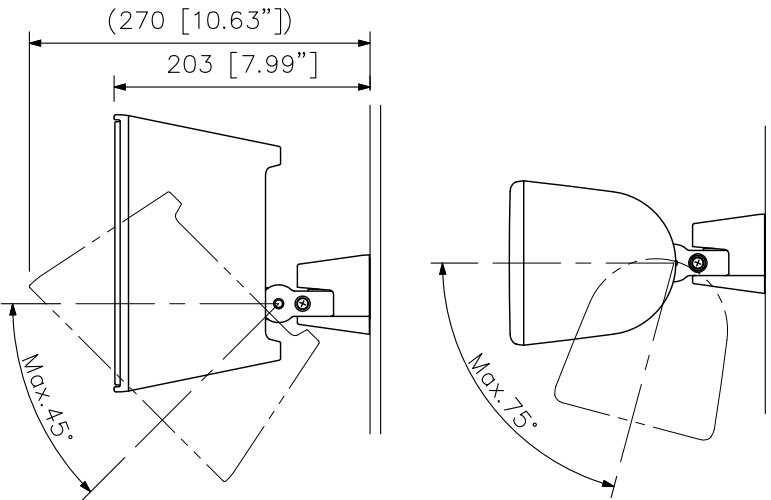
(\*1) Rated noise power is defined by IEC60268-5. Continuous program is 3 dB above Rated noise power.  
Note: Bolts and nuts for mounting the bracket to the wall or ceiling are not included. Prepare them separately.

■APPEARANCE

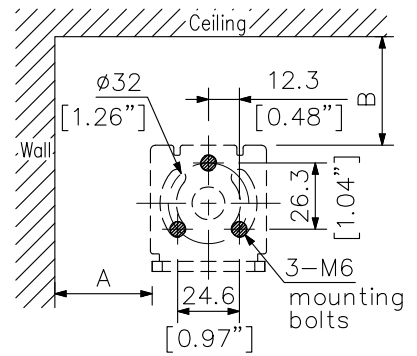


UNIT:mm SCALE:1/3

■ Wall mounting example

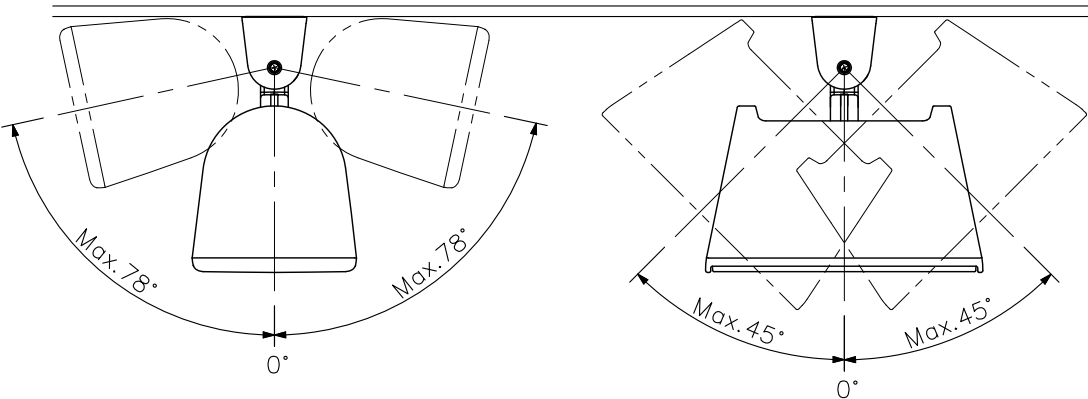


The angle can be adjusted in 15° steps.

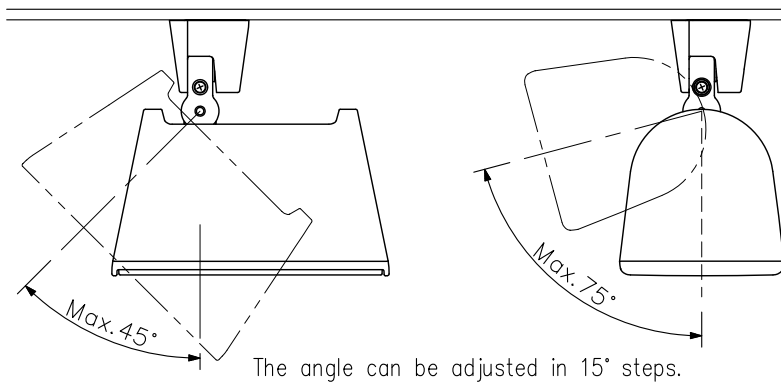


	Vertical installation	Horizontal installation
A	170 (6.69") or more	220 (8.66") or more
B	250 (9.84") or more	250 (9.84") or more

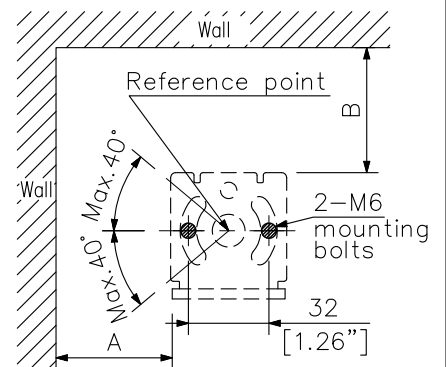
Dimensions of wall mounting hole  
(base bracket (accessory))  
(scale: 1/3)



■ Ceiling mounting example

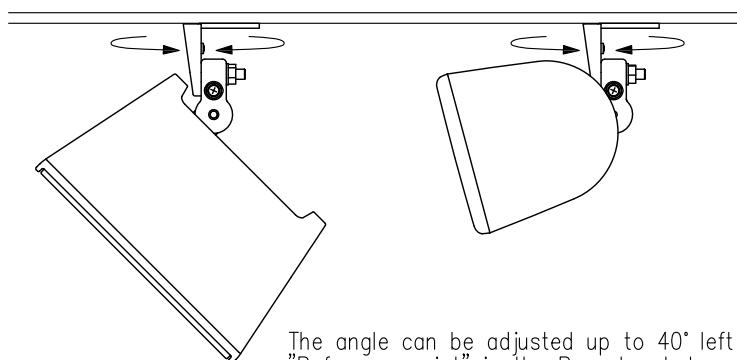


The angle can be adjusted in 15° steps.



	Vertical installation	Horizontal installation
A	150 (5.91") or more	150 (5.91") or more
B	250 (9.84") or more	250 (9.84") or more

Dimensions of wall or ceiling mount hole  
(base bracket (accessory))  
(scale: 1/3)



The angle can be adjusted up to 40° left or right from the "Reference point" in the Base bracket.

UNIT:mm SCALE:1/6