

DESCRIPTION

The ER-1206S is a compact splash-proof megaphone rated at 6 W output featuring a built-in siren. It features IPX5 water-jet-resistant designs. Pressing the siren switch sounds the siren, alerting the people to the emergency situation. It operates with 6 R6P batteries, or 4 R6P batteries when the battery spacer (accessory) is used.

SPECIFICATIONS

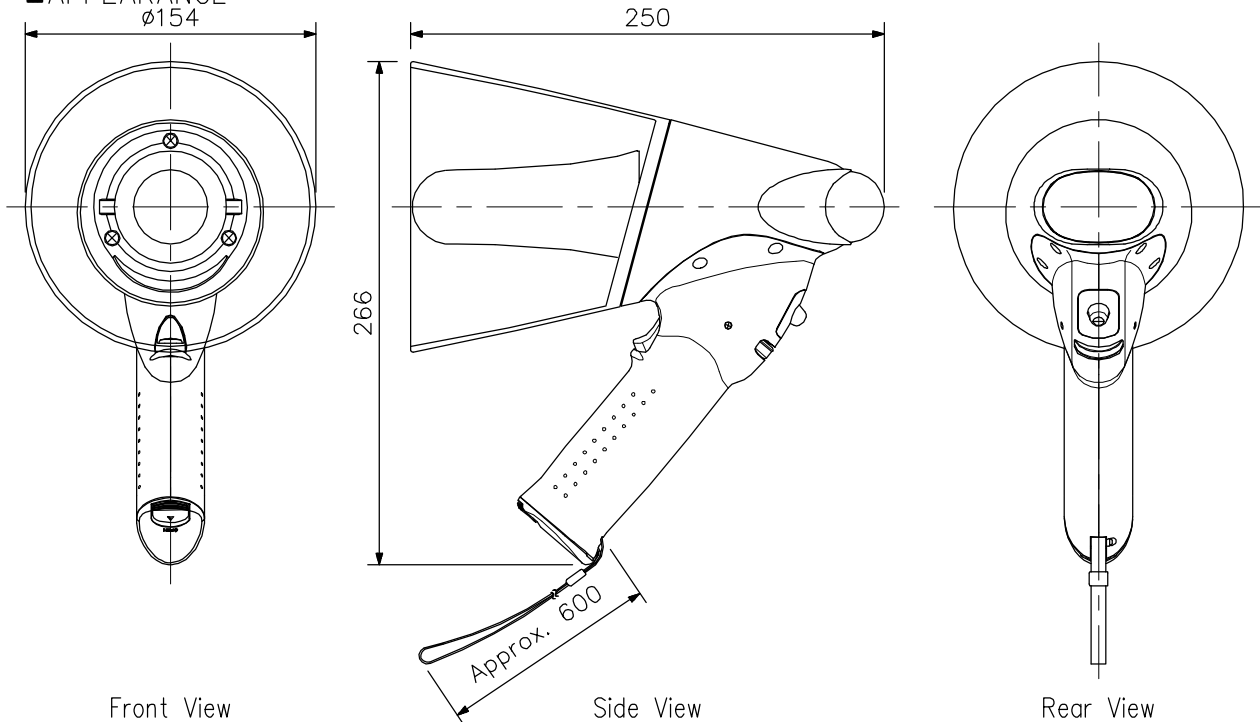
Power Source	R6P (AA) × 6 (9 V DC) or R6P (AA) × 4 (6 V DC)
Rated Output	6 W (when using six R6P batteries)
Maximum Output	10 W (when using six R6P batteries)
Battery Life	When using six R6P batteries (JEITA)(*1) Voice: Approx. 8 hours, Siren: Approx. 20 minutes When using four R6P batteries(*2) (JEITA)(*1) Voice: Approx. 5 hours, Siren: Approx. 10 minutes
Audible Range	Voice: Approx. 250 m (JEITA)(*1), Siren: Approx. 315 m (JEITA)(*1)
Signal Sound	Siren (sounds at 5 seconds intervals)
Frequency Response	450 Hz – 6 kHz (SPL -20 dB)
Magnetic Circuit	Neodymium magnet, inner magnet type
Diaphragm	Polyimide film (voice coil, bobbin)
Water Protection	IPX5
Operating Temperature	-10 °C to +40 °C
Finish	Horn: ASA resin, clear red Other: ASA resin, red Strap: Nylon, black
Dimensions	154 (W) × 266 (H) × 250 (D) mm
Weight	680 g (without batteries)
Accessory	Battery spacer ...1
Option	Wall mounting bracket for megaphone: SP-1100

Note: Batteries are optional.

(*1) JEITA: Japan electronics and information technology industries association. (EIAJ TT-4501A)

(*2) With the additional use of the supplied battery spacer.

APPEARANCE



<Note on the audible range and battery life>

1. The indications of the audible range and battery life are based on the JEITA Standard(*1).
2. Audible Range presumes that the megaphone employs new batteries and is used on a quiet street.
It varies depending on such conditions as battery consumption, ambient noise, wind direction and obstacles.
3. Battery Life assumes that megaphone is used for 30 minutes a day.

UNIT:mm SCALE:1/4