



REAL-TIME STEERING ARRAY MICROPHONE

AM-1B

DESCRIPTION

The AM-1B is a high sound quality microphone system that features automatic adjustment capability in a slim configuration. Composed of an array microphone connected to a separate control unit, it is ideal for installations and use on lecterns. The array microphone unit's eight internal microphones detect and track the location of the sound source, picking up audio clearly and without interruption, allowing speakers to conduct presentations more naturally without worrying about the location of the microphone. In addition, setup of operation can be performed using an iPad® or PC browser. The control unit can be mounted in an EIA Standard rack with the use of optional rack-mounting brackets. (1-unit size)

SPECIFICATIONS

| | |
|------------------------------|---|
| Product Composition | Array microphone ...1, Control unit ...1 |
| Array Microphone | |
| Power Source | 24 V DC (supplied from the Control unit) |
| Microphone | Unidirectional electret condenser microphone |
| Directivity Angle | Horizontal: 50° (800 Hz - 18 kHz, Array mode), 180° (Cardioid mode), Vertical: 90° |
| Frequency Response | 150 Hz - 18 kHz |
| Maximum Input Sound Pressure | 100 dB SPL |
| Operation | Mute switch |
| Indicator | Microphone status indicator (output: green, mute: red) |
| Microphone Cable | Shielded twisted pair cable 10 m (32.81 ft) with connector equivalent to TA-3 |
| Maximum Cable Distance | 70 m (229.66 ft) (use of the AES/EBU cable) |
| Finish | Body, Punched net: Surface-treated steel plate, black, 30% gloss Side cover: ABS resin, black |
| Dimensions | 483.9 (W) × 22.1 (H) × 64.9 (D) mm (19.05" × 0.87" × 2.56") (excluding Cable) |
| Weight | 1.2 kg (2.65 lb) |
| Control Unit | |
| Power Source | 24 V DC (supplied from the AC adapter (option)) Usable DC power supply plug: 5.5 mm (0.22") outer diameter, 2.1 mm (0.08") inner diameter, 9.5 mm (0.37") long, and non-polarity type. |
| Current Consumption | 410 mA or less |
| Signal to Noise Ratio | 90 dB or more |
| Input | Combined type of TA-3 (dedicated to the array microphone) |
| Output | Combined type of XLR-3-32, Removable terminal block (3 pins) |
| Network | Network I/F: 10BASE-T/100BASE-TX, RJ45 connector Network protocol: TCP/IP, HTTP |
| Level Control | Output level selection (+4 dB (*1), -10 dB (*2), -50 dB (*1)) LOW CUT ON/OFF |
| Operation | Power switch |
| Indicators | Power indicator (blue), Mute indicator (red), Signal indicator (green) |
| Finish | Pre-coated steel plate, black, 30 % gloss |
| Dimensions | 210 (W) × 45.7 (H) × 271.5 (D) mm (8.27" × 1.8" × 10.69") |
| Weight | 1.5 kg (3.31 lb) |
| Dedicated Software | iPad app, PC browser software (for setting of tracking distance/range, sensitivity/speed, mute ON/OFF) |
| Operating Temperature | 0 °C to +40 °C (32 °F to 104 °F) |
| Operating Humidity | 90 %RH (no condensation) |
| Accessory | Removable terminal plug (3 pins) ...1 |
| Option | AC adapter: AD-246 Rack mounting bracket: MB-15B-BK (for rack mounting one control unit) MB-15B-J (for rack mounting two control units) Wall mounting bracket: YC-850 (for one control unit) |

(*1) 0 dB = 0.775 V

(*2) 0 dB = 1 V

Personal Computer Requirements

| | |
|----------------------|---|
| OS | Windows 7 Professional (32 bits), Windows 10 Pro (64 bits) (These are the verified operating systems.) |
| Required Web Browser | Google Chrome (Version 56.0.2924.87), Internet Explorer 10 (Version 10.0.9200.17609) (These are the verified web browser programs and versions.) |

iPad Requirements

| | |
|----|---|
| OS | iOS 8.1.3, iOS 9.3.5, iOS 10.1.1 (These are the verified versions.) |
|----|---|

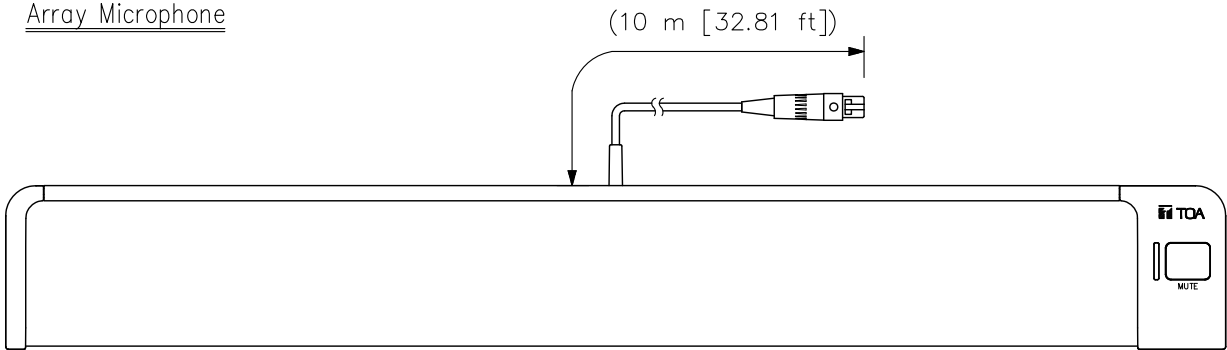
* Windows is a registered trademark or trademark of Microsoft Corporation in the United States and/or other countries.

* iPad is a registered trademark of Apple Inc.

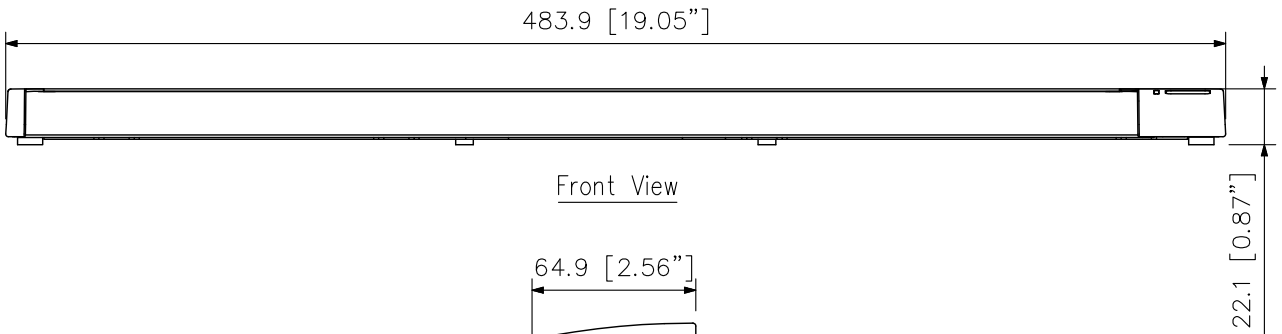
* Other company names and products are also trademarks of individual companies.

■ APPEARANCE

Array Microphone



Top View

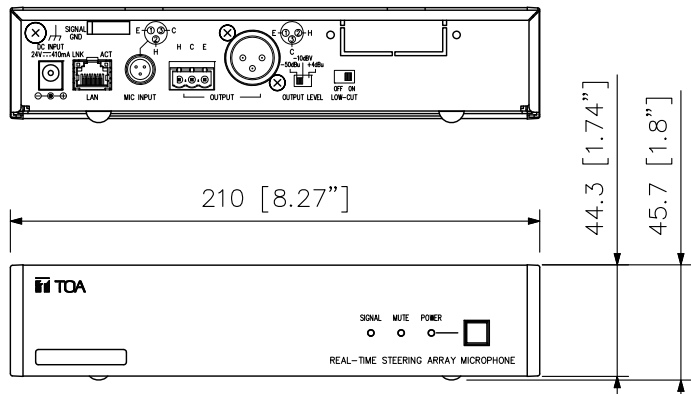


Front View

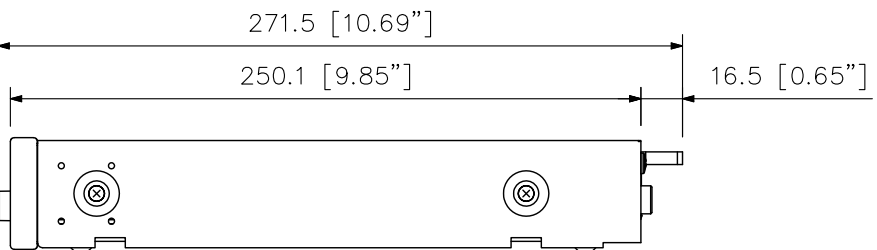
Side View

Control Unit

Rear View



Front View



Side View

UNIT:mm SCALE:1/3

Note: Numerical values in parentheses are for reference only.