



MASTER CONTROL UNIT

TS-999-MU Q5

DESCRIPTION

The TS-999-MU is a Master control unit for TOA Conference system. Use of its line connection terminals permits connect to the Signal distributor unit (TS-999-SU) and Conference units (TS-999-CU Chairman unit and TS-999-DU Delegate unit) making up a conference system.

With the use of an optional rack mounting bracket, it can be mounted in an EIA Standard equipment rack (2 unit size). The TS-999-MU Master control unit come with a TS-999-SU Signal distributor unit as standard accessory.

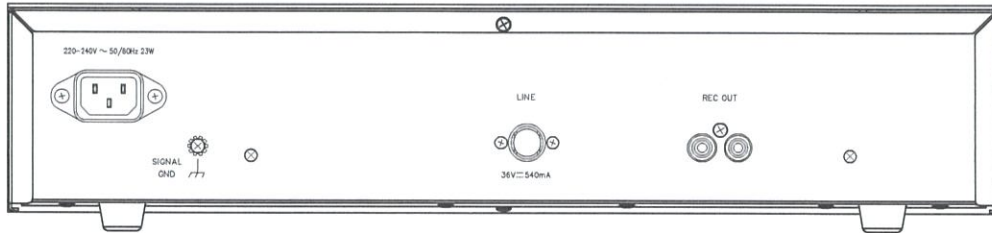
SPECIFICATIONS

* 0 dB = 1 V

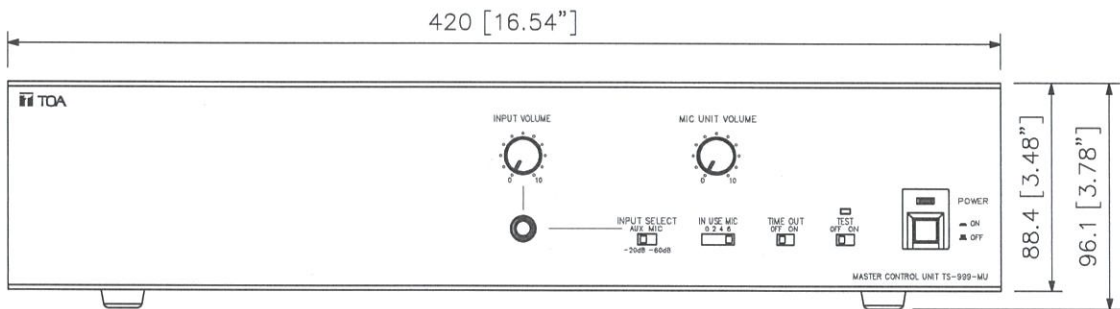
Power Source	220 - 240 V AC, 50/60 Hz
Power Consumption	23 W
Rated Output	36 V DC, 540 mA
Input	Selectable MIC or AUX MIC: -60 dB*, 600 Ω, unbalanced, phone jack AUX: -20 dB*, 10 kΩ, unbalanced, phone jack
Output	Recording: -20 dB*, 10 kΩ, unbalanced, RCA jack
Number of Connectable Units	Max. 27 units
Control	Priority speech chime: Operation of TS-999-CU priority button activates a single-tone chime Speaker restriction: Number of simultaneously-usable TS-999-DU can be set up to 0, 2, 4 or 6 Automatic Mic-off function: OFF, 30 s (selectable)
Operating Temperature	0 °C to +40 °C (32 °F to 104 °F)
Operating Humidity	90 %RH or less (no condensation)
Finish	Panel: Aluminum, black, 30 % gloss, paint Case: Steel plate, black, 30 % gloss, paint
Dimensions	420 (W) × 96.1 (H) × 222.5 (D) mm (16.54" × 3.78" × 8.76")
Weight	2.7 kg (5.95 lb)
Accessory	Signal distributor unit: TS-999-SU ...1 Power cord (2 m (6.56 ft))...1
Option	Extension cord: YR-780-2M, YR-780-10M Rack mounting bracket: MB-23B



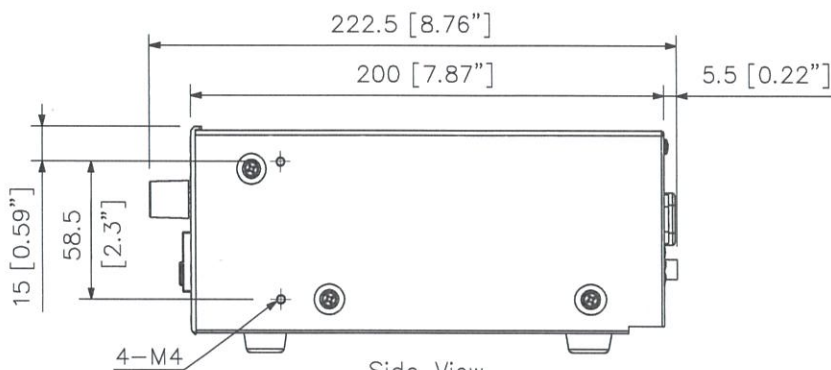
■ APPEARANCE



Rear View



Front View



UNIT:mm SCALE:1/3

