

MEDIA PLAYER

MD-300-AS

Thank you for purchasing TOA's Media Player

Please carefully follow the instructions in this manual to ensure long, trouble-free use of your equipment.

1. SAFETY PRECAUTIONS

- Be sure to read the instructions in this section carefully before use.
- Make sure to observe the instructions in this manual as the conventions of safety symbols and messages regarded as very important precautions are included.
- We also recommend you keep this instruction manual handy for future reference.



WARNING

Indicates a potentially hazardous situation which, if mishandled, could result in death or serious personal injury.



CAUTION

Indicates a potentially hazardous situation which, if mishandled, could result in moderate or minor personal injury, and/or property damage.



WARNING



CAUTION

When Installing the unit

- Do not expose the unit to rain or an environment where it may be splashed by water or other liquids, as doing so may result in fire or electric shock.
- Use the unit only with the voltage specified on the unit. Using a voltage higher than that which is specified may result in fire or electric shock.
- Avoid installing or mounting the unit in unstable locations, such as on a rickety table or slanted surface. Doing so may result in the unit falling down and causing personal injury and/or property damage.
- To prevent lightning strikes, install the unit at least five meters away from the lightning rod, and yet within the protective range (angle of 45°) the lightning conductor. Lightning strikes may cause the fire, electric shock or personal injury.

When Installing the unit

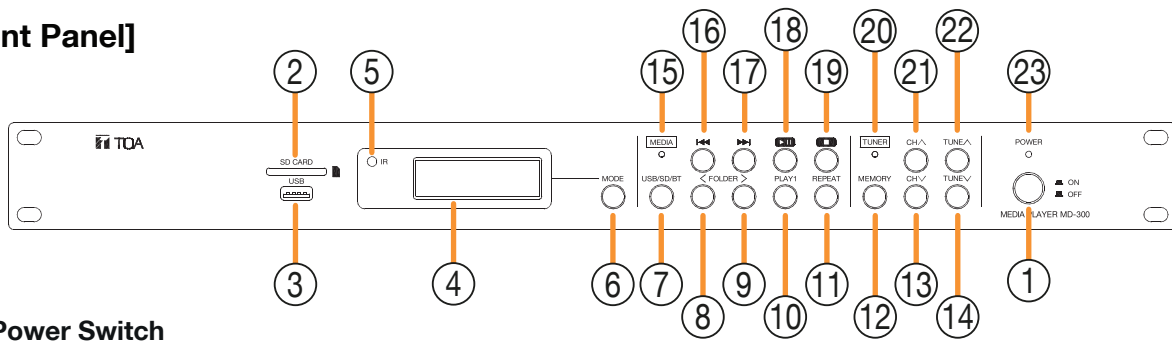
- Never plug in or remove the power supply plug with wet hands, as doing so may cause electric shock.
- Avoid installing the unit in humid or dusty locations, in locations exposed to the direct sunlight, near the heaters, or in locations generating sooty smoke or steam as doing otherwise may result in fire or electric shock.
- The socket - outlet shall be installed near the equipment and the plug (disconnecting device) shall be easily accessible.

2. GENERAL DESCRIPTION

MD-300-AS is a media player and digital processing FM radio tuner. The unit has a USB and SD card slot that allows MP3 playback and also has a Bluetooth function for receiving audio signals. The radio tuner has the capability to store up to 30 channels. The unit can be mounted on an EIA equipment rack.

3. NOMENCLATURE AND FUNCTIONS

[Front Panel]



1. Power Switch

Press the switch to turn the power on, and press it again to turn the power off.

2. Slot for SD Card

When SD Card plugged on, text appears "Card", Folder No, and Track Qty.

3. Slot for USB Card

When USB plugged ON, text appears "USB", Folder No, and Track Qty.

4. LCD Display

Displays the track number and condition of the SD Card/USB/Bluetooth. When in Tuner mode, it will display the frequency of the received radio transmitter.

5. IR

Pick up signal from the remote controller.

6. MODE

When this key is pressed repeatedly, Mode change as shown below :

If current mode USB : " USB ⇔ TUNER "

If current mode SD : " SD ⇔ TUNER "

If current mode BT : " BT ⇔ TUNER "

7. USB/SD/BT

Press this key to change to USB, SD Card or BT mode.

8. F↵ or <FOLDER

Press this key will skip to the previous Folder. (Available for USB and SD card)

9. F▲ or FOLDER >

Press this key will skip to the next Folder. (Available for USB and SD card)

10. PLAY 1

By pressing this key once, the player will play one track once and then stop. Pressing the key again the function will be cancelled.

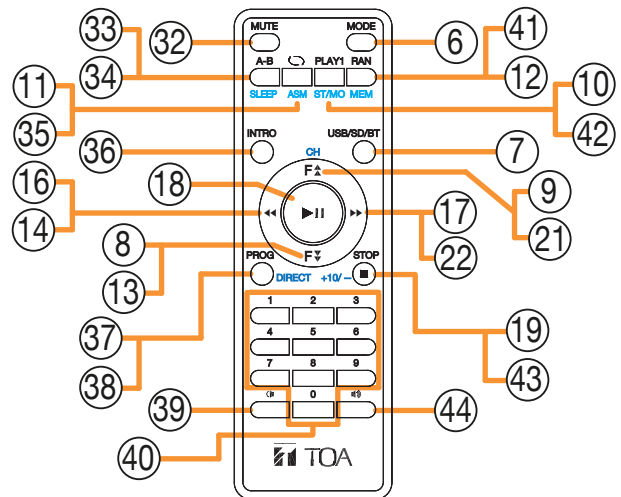
11. ↻ or REPEAT

If this key is pressed, PLAY mode is changed cyclically shown below:

" PLAY ALL RANDOM → REPEAT TRACK
 ↑ → REPEAT FOLDER → REPEAT ALL
 → RANDOM REPEAT → PLAY ALL "

12. MEMORY or MEM

Press this key to set the memory mode. The FM band has fixed preset memory 30 CH. The memory mode is released automatically after 5 seconds. The preset station is flashing in the memory mode.



[Remote Control]

13. CH V

When this key is press, the preset memory number is decrement.

14. ◀◀ or TUNE V

Every time the TUNE DOWN key is pressed, the reception frequency is decreased by 50kHz. When the key is pressed over 1 seconds, the auto tuning starts and stops automatically as soon as a station is picked up.

15. MEDIA or Media Indicator

The light will turn on when the mode is changed to USB/SD/BT mode.

16. ◀◀ or ◀◀(SKIP)

Pressing this key will skip to the previous track, Keeping pressing this key will fast-rewind.

17. ▶▶ or ▶▶(SKIP)

Pressing this key will skip to the next track, Keeping pressing this key will fast-forward.

18. ▶▶ (PLAY/PAUSE)

Press once to start playing, press again to pause.

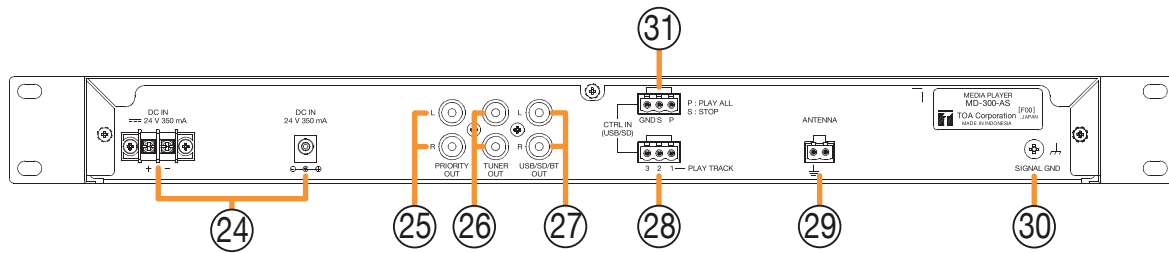
19. ■ or STOP

When USB or SD is not stop, if this key is pressed then USB or SD will stop the current song.

20. TUNER Indicator

The light will turn on when the mode is changed to Tuner mode.

[Rear Panel]



21. CH \wedge

When this key is pressed, the preset memory number is incremented.

22. $\blacktriangleright\blacktriangleright$ or TUNE \wedge

Every time the TUNE UP key is pressed, the reception frequency is increased by 50kHz. When the key is pressed over 1 seconds, the auto tuning starts and stops automatically as soon as a station is picked up.

23. POWER Indicator

Lights green when power is switched on.

24. DC Input

Connect this terminal to 24 V DC power supply.

25. PRIORITY OUT Stereo Terminals

Provide stereo audio output in the following.

Priority : USB, SD, BT, FM. (RCA jack)

PRIORITY OUT will not have output from radio programs if one or all of the following conditions occur :

- USB installed
- SD installed
- BT connected

26. TUNER OUT Stereo Terminals

Provide stereo audio output of received radio program. (RCA jack)

27. USB/SD/BT OUT Stereo Terminals

Provide stereo audio output of USB/SD/BT program. (RCA jack)

28. PLAY TRACK

- Connect terminal 1 to GND to play the file with the name TRACK1.MP3 will play 1 time.
- Connect terminal 2 to GND to play the file with the name TRACK2.MP3 will play 1 time.
- Connect terminal 3 to GND to play the file with the name TRACK3.MP3 will play 1 time.
- If the USB and SD Card have 3 files with the same name, then the MP3 file on the USB will be played.
- TRACK1.MP3, TRACK2.MP3, TRACK3.MP3 files are placed in a folder with the name MD300.

29. ANTENNA Terminal

Connect to FM antenna.

30. Functional Earth Terminal

Connect this terminal to the functional earth terminal of external equipment if excessive noise is generated when the external equipment is connected to the MD-300-AS. This could be reduce noise.

Note: This terminal is not protective earth.

31. PLAY ALL/STOP

- Connect terminal P to GND to play all MP3 files contained on the USB or SD Card. If both are installed, then only the MP3 files on the USB will be played.
- Connect terminal S to GND to stop.

32. MUTE

When this key is pressed USB, SD, BT or TUNER will mute the output. Pressed again, will recovery the output.

33. A-B

When this key is pressed during play, the beginning is marked. Press this key one more time, the end is also marked, and the set will play from the beginning to the end cyclically. Press this key again will delete the function.

34. SLEEP

When SLEEP key is pressed, the sleep function is set and the sleep time in display will flash for 5 seconds. The sleep time begins from the 90 minutes and change cyclically as shown below for every pushing the SLEEP key during the sleep time is displayed. Display "90 → 80 → 70 → 60 → 50 → 40 → 30 → 20 → 10 → OFF". The sleep function is cleared, if the SLEEP key is pressed when the sleep time in display not flash. The power is automatically off after sleep time, when sleep function is set.

35. ASM

This is Auto search and memory function. Press this key, the tuner will search the station and store in memory automatically.

36. INTRO

When this key is pressed, the set will play each track for ten second.

37. PROG

Set to programming mode.

When programming mode, [stop] key is pressed then program is all cleared.

38. DIRECT

This is a direct search function. Press this key once, then use number key (0~9) to input the station frequency, again press DIRECT key again to confirm the frequency.

The tuner jump to this station. If the input frequency is beyond the range, the tuner will display ERROR.

39. \blacktriangleleft Vol -

When this key pressed, volume will 1 step down, minimum value is 0.

40. 0~9

When TUNER mode, press these keys the tuner will jump to preset channel station 1~9.
0 key for channel station no.10.
For MEDIA mode, press these keys to select the track you want directly.

41. RAN

When this key is pressed, it will become RANDOM REPEAT.

42. ST/MO

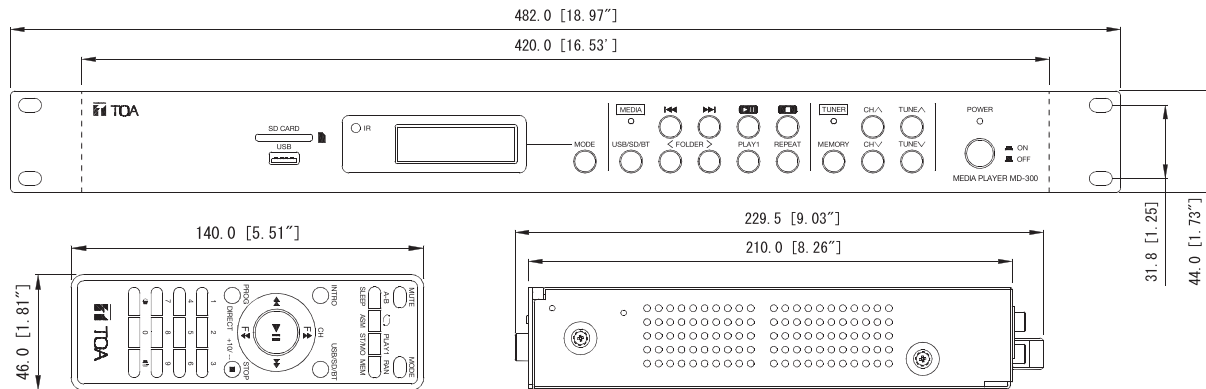
Press this key, the tuner change between stereo and mono mode.

43. +10/--

Press this key once, the preset station number will add 10. Press this key for more than 1.5 seconds, then use number key to input the preset station.

44. Vol +

When this key pressed, volume will 1 step up, maximum value is 15.

4. DIMENSIONAL DIAGRAM**5. SPECIFICATION**

Power Source	24 V DC, M3 Screw terminal / DC socket connector
Current Consumption	350 mA
Tuner Receiving Frequency	20 - 20,000 Hz, ± 3 dB
Audio Input	USB port for memory stick (up to 32 GB, Type file: MP3 file) SD card slot (up to 32GB, Type file: MP3 file) FM antenna terminals, Bluetooth
Audio Output	RCA audio output L and R channels for PRIORITY RCA audio output L and R channels for TUNER RCA audio output L and R channels for USB/SD/BLUETOOTH
Control Input	Play track 1 - 3, Play All, Stop : No-voltage make contact input, open voltage : 24 V DC, Short circuit current : Under 5 mA, Removable terminal block
Channels of memory Tuner	30 Channels in total for FM broadcasts
Indicators	LCD Display Light Blue 3 LED Indicator Light Green
Operation Temperature	0 °C to + 40 °C
Operation Humidity	Under 90% RH (no condensation)
Finish	Front Panel : Aluminium, Black, Anodize Case : Steel Plate, Black, Painting
Dimensions	482 (w) x 44 (h) x 229.5 (d) mm (18.97" x 1.73" x 9.03")
Weight	2.1 kg
Accessories	Remote Control ...1, Antenna FM Radio ...1, Removable terminal plug (2 pins) ...1, Removable terminal plug (3 pins) ...2

Note: The Design and specifications are subject to change without notice for improvement.