

# REMOTE UNITS

# RU-2001 RU-2002

Thank you for purchasing TOA's Remote Unit. Please carefully follow the instructions in this manual to ensure long, trouble-free use of your equipment.

## 1. SAFETY PRECAUTIONS

- Before installation or use, be sure to carefully read all the instructions in this section for correct and safe operation.
- Be sure to follow all the precautionary instructions in this section, which contain important warnings and/or cautions regarding safety.
- After reading, keep this manual handy for future reference.

### Safety Symbol and Message Conventions

Safety symbols and messages described below are used in this manual to prevent bodily injury and property damage which could result from mishandling. Before operating your product, read this manual first and understand the safety symbols and messages so you are thoroughly aware of the potential safety hazards.

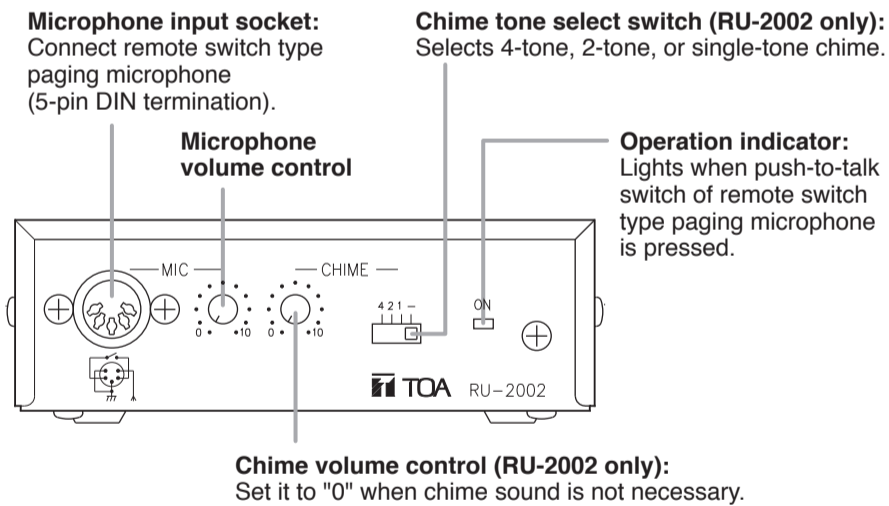
**WARNING** Indicates a potentially hazardous situation which, if mishandled, could result in death or serious personal injury.

#### When Installing the Unit

- Do not expose the unit to rain or an environment where it may be splashed by water or other liquids, as doing so may result in fire or electric shock.
- Use the unit only with the voltage specified on the unit. Using a voltage higher than that which is specified may result in fire or electric shock.

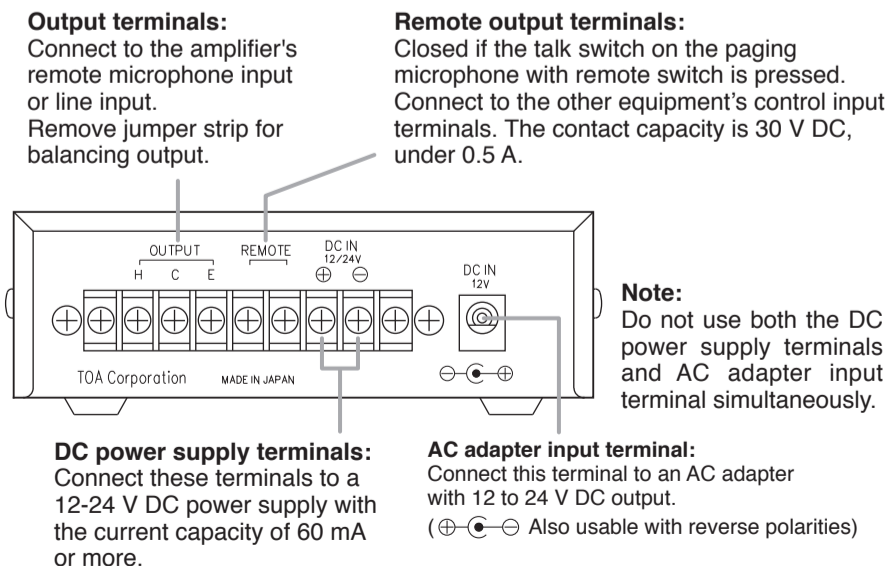
## 4. NOMENCLATURE AND FUNCTIONS

### [Front]



**Note:** The above figure shows the front view of the RU-2002.

### [Rear]



**WARNING** Do not connect AC power lines to remote output terminals.

- To avoid electric shocks and fire, do not connect the AC power line to the remote output terminals.

#### When the Unit is in Use

- Do not place cups, bowls, or other containers of liquid or metallic objects on top of the unit. If they accidentally spill into the unit, this may cause a fire or electric shock.

**CAUTION** Indicates a potentially hazardous situation which, if mishandled, could result in moderate or minor personal injury, and/or property damage.

#### When Installing the Unit

- Avoid installing the unit in humid or dusty locations, in locations exposed to the direct sunlight, near the heaters, or in locations generating sooty smoke or steam as doing otherwise may result in fire or electric shock.

#### When the Unit is in Use

- Only use an AC adapter with 12 – 24 V DC output and over 60 mA to avoid a fire.

## 2. GENERAL DESCRIPTION

The TOA RU-2001 and RU-2002 are remote control units having a microphone amplifier designed for use with the PM-660D Paging Microphone (5-pin DIN termination).

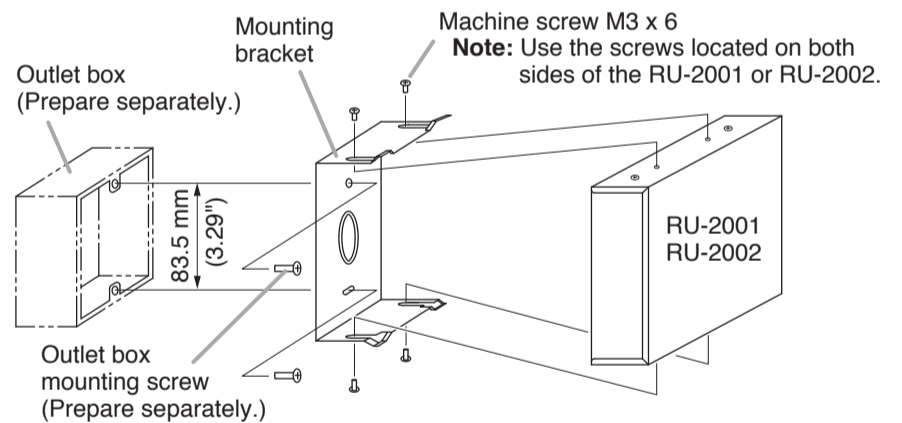
The RU-2002 has built-in 3 selectable chime tones.

## 3. FEATURES

- Can be installed on a desk or wall with the supplied mounting bracket.
- A chime selected from 4-tone chime, 2-tone chime, and single-tone chime can be sounded by pressing the talk switch of the microphone with remote switch before making the microphone announcement. (RU-2002 only)
- Remote output (make contact output, contact capacity: 30 V DC, under 0.5 A) permits control of equipment having control input terminals interlocked with the talk switch on the paging microphone with remote switch (e.g. PM-660D).

## 5. ATTACHING THE SUPPLIED MOUNTING BRACKET

Use the supplied mounting bracket to install the unit on a wall. Refer to the following figure to install the unit to an outlet box.



## 6. SPECIFICATIONS

Power Requirement	12 – 24 V DC or AC adapter, Adapter plug: Non-polarity type, 2.1 mm (0.08") ID x 5.5 mm (0.22") OD x 9.5 mm (0.37") long
Current Consumption	60 mA
Microphone Input	-62 dB*, 600 Ω, unbalanced, 5-pin DIN socket
Output	0 dB*, 600 Ω, balanced, screw terminal, barrier spacing: 6.4 mm (0.25")
Remote Output Terminal Capacity	30 V DC, under 0.5 A
Chime (RU-2002 only)	4-tone chime, 2-tone chime, single-tone chime
Applicable Microphone	PM-660D
Finish	Pre-coated steel plate, black
Dimensions	124 (w) x 42.5 (h) x 159 (d) mm (4.88" x 1.67" x 6.26")
Weight	600 g (1.32 lb)
Accessory	Mounting bracket: 1

\* 0 dB = 1 V

**Note:** The design and specifications are subject to change without notice for improvement.